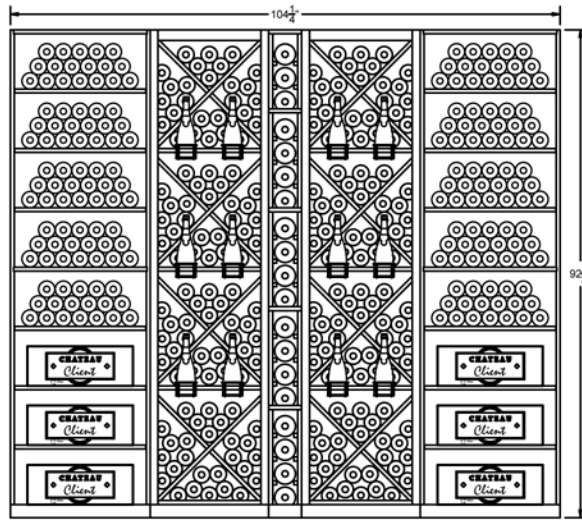
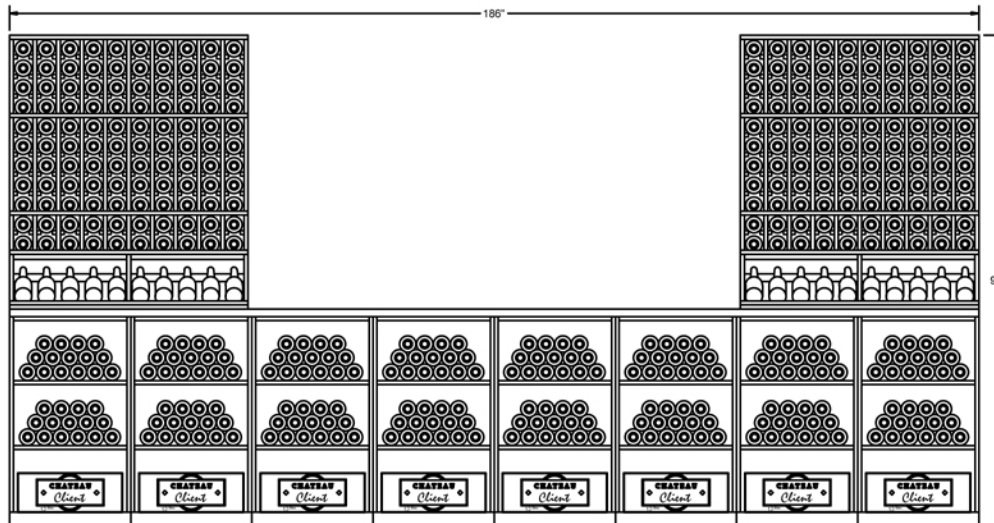


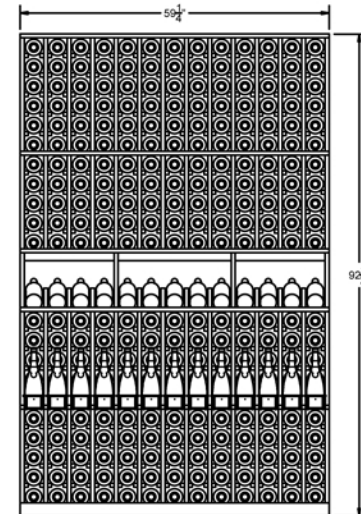
ELEVATION -A-



ELEVATION -B-



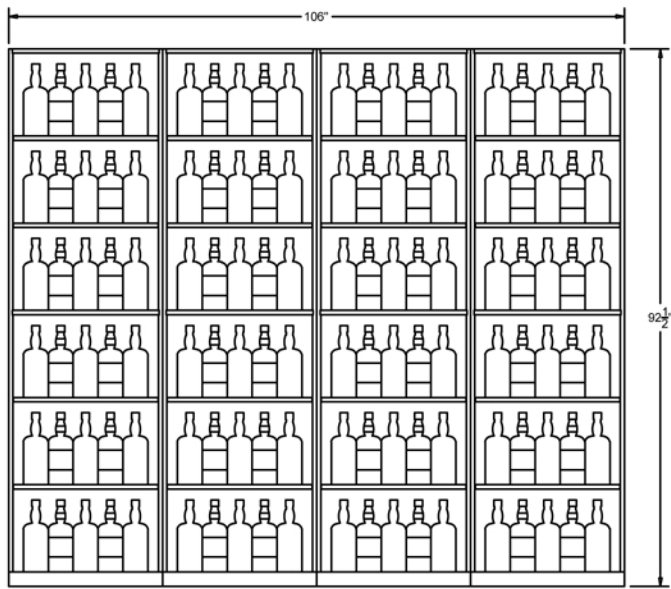
ELEVATION -C-



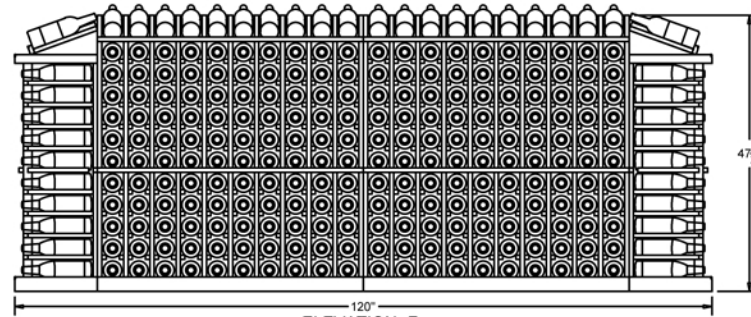
ELEVATION -D-  
(QTY: 2 AS SHOWN)



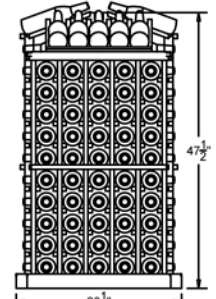
85 INDUSTRIAL PARK DRIVE  
DOVER, NH 03820  
P 603-285-0400 F 603-285-0420



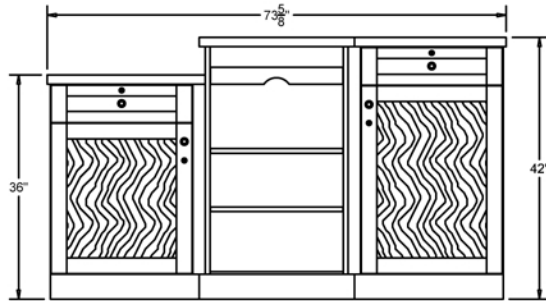
ELEVATION -E-



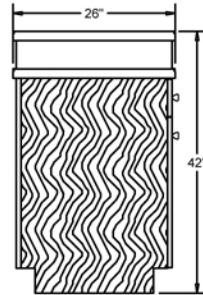
ELEVATION -F-  
(QTY: 4 AS SHOWN)



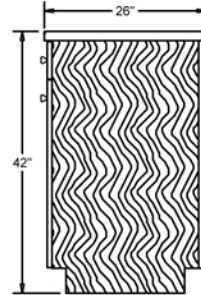
ELEVATION -G-  
(QTY: 4 AS SHOWN)



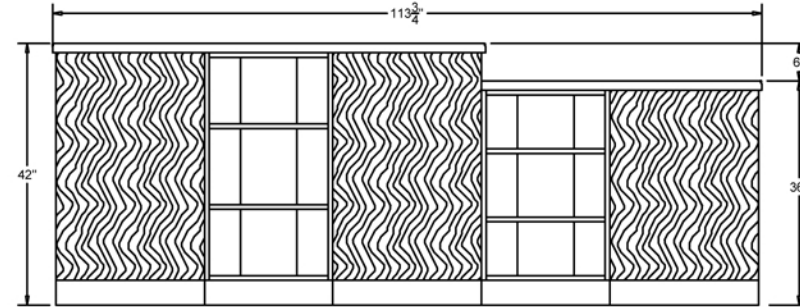
FOLD-OUT  
ELEVATION -H-



ELEVATION -J-



ELEVATION -J-1-

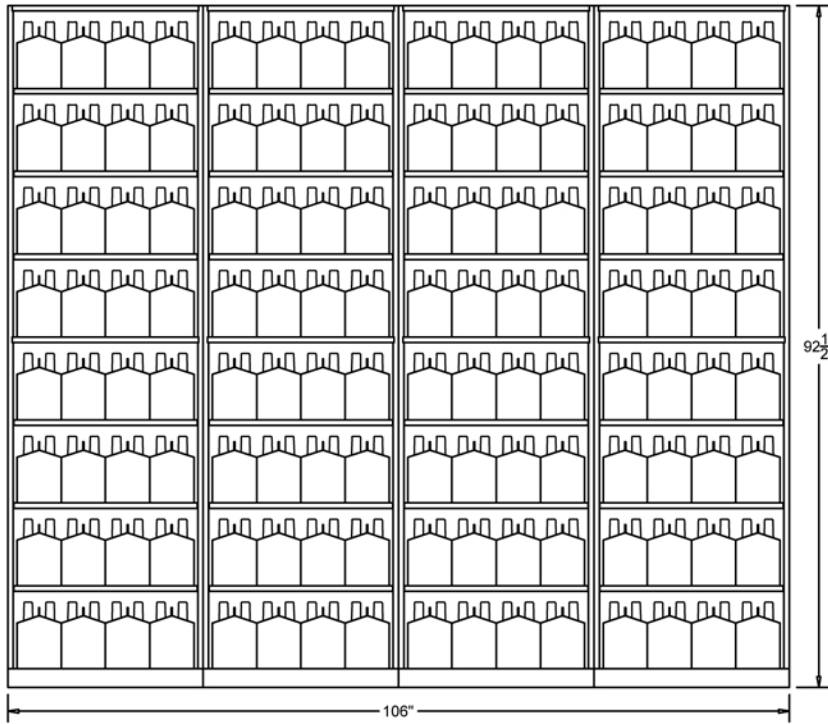


FOLD-OUT  
ELEVATION -K-

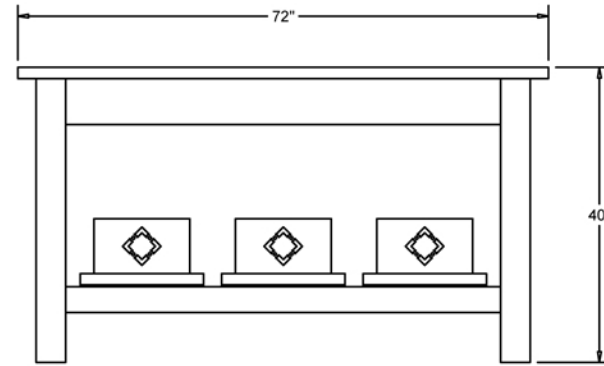


85 INDUSTRIAL PARK DRIVE  
DOVER, NH 03820  
P 603-285-0400 F 603-285-0420

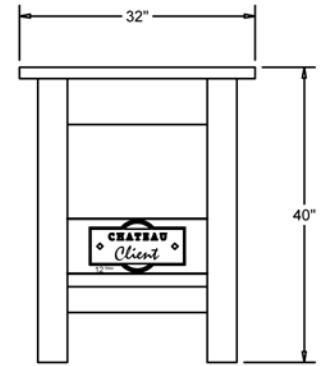




ELEVATION -L-



ELEVATION -M-



ELEVATION -N-

