



Superior Design & Craftsmanship

**Wine Rack
Assembly Instructions
Quarter Round Display**



Classic Series



Estate Series

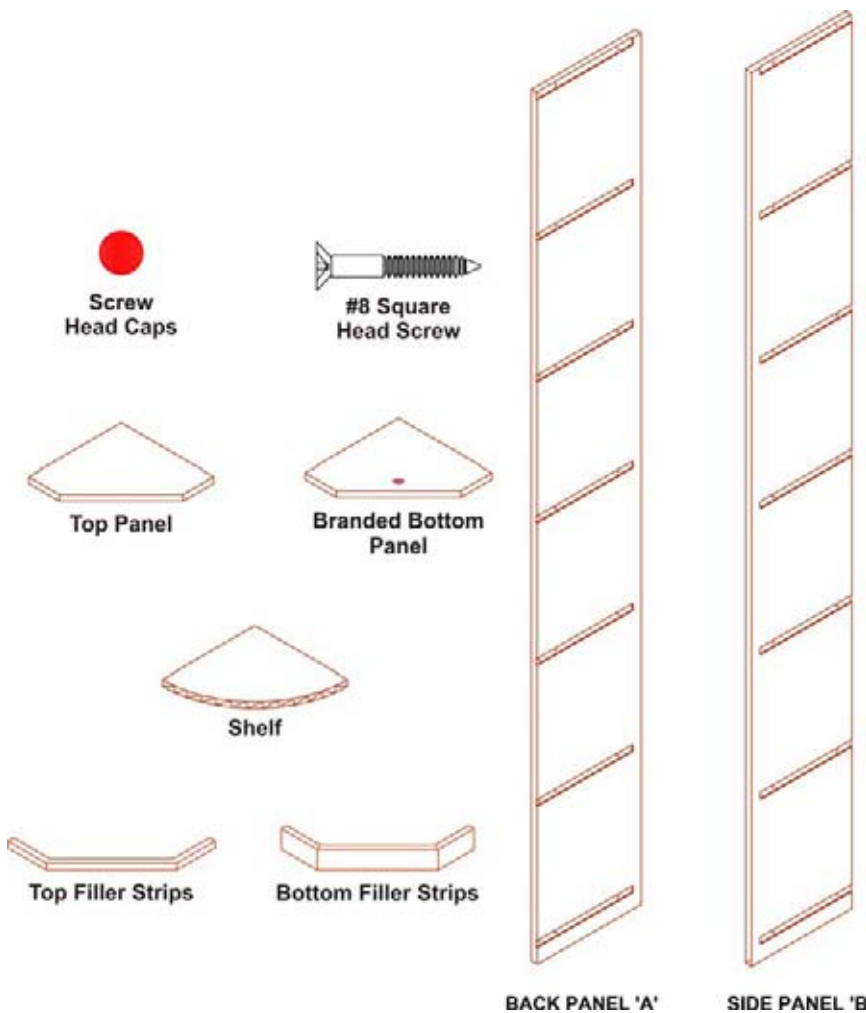
Congratulations! You have purchased the finest wine racking available anywhere. Properly assembled, these Vigilant wine racks will outlast even your finest wines. Please call toll free **888-812-4427** if you have any questions or problems.

Tools Required for Assembly:

- Electric drill or cordless screw gun
- 9/64" drill bit
- Phillips Head Screwdriver
- #2 Square drive bit
- Hammer, preferably rubber or soft-faced

Parts List:

Before starting, carefully review the parts and quantities against the parts list to make sure you have everything you need. Then read through the instructions, taking time to familiarize yourself with the pieces and steps.



Classic Series (77 1/2" high)

- 1 Back Panel A (12 3/4" wide)
- 1 Side Panel B (12 wide)
- 1 Top Panel
- 1 Branded Bottom Panel
- 4 Round Shelves
- 3 Top Filler Strips
- 3 Bottom Filler Strips
- 38 #8 Square Head Screws (1 3/4" long)
- 12 Screw Head Caps

Estate Series (92 1/2" high)

- 1 Back Panel A (12 3/4" wide)
- 1 Side Panel B (12 wide)
- 1 Top Panel
- 1 Branded Bottom Panel
- 5 Round Shelves
- 3 Top Filler Strips
- 3 Bottom Filler Strips
- 43 #8 Square Head Screws (1 3/4" long)
- 14 Screw Head Caps

Parts List



Tips: For Building Your Bins and Cases

Do not use a power drill when tightening your CAM fittings, if you do your CAM fitting could break.

Before assembling your wine storage bin or case place a blanket down. You want a clean and scratch free surface during assembly.

It is recommended to use glue at joints when ever possible to make the joint stronger.

Pre-drill all screw holes with a 9/64" drill bit. This makes it less likely for your wood to split. (The easiest way to do this is to follow the pre-drilled holes provided on certain pieces as your guide.)

When assembling your case work make sure that all front edges are flush to one another.

Align the front of your case work to the front spacer bar of the adjacent racking. (This is true for every item except the Quarter Round, where you will line the filler strip up to the front of the spacer bar.)

When lining your case work up with adjacent racking, it may be pulled out slightly from the wall and therefore not able to be attached to a wall stud. We recommend securing it to the adjacent racking on both sides or purchasing L-Brackets from your hardware store to attach it to the wall.

When attaching your assembly to adjacent racking or other case work we recommend using clamps to hold the pieces together before securing with screws.

When attaching case work to racking, drill a hole through the side at a discrete location like the very top or below a shelf.

If you are attaching a 10 Column Soffit Arch above a Diamond Bin Table Base, it is recommended to not attach the outer face frame on the Diamond Bin Table Base. This will allow easy access to the diagonal panels for easy removal when attaching the arch through the top of the table base.

How to Care for Your Stained & Lacquered Wine Racks

Your Vigilant wine racks are built using the highest quality mahogany wood and finish available. When properly cared for, your wine racks will last longer than your finest bottles of wine. Here are a few tips on maintaining the quality and consistency of your racking.

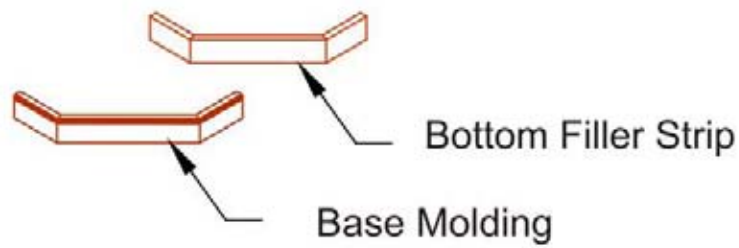
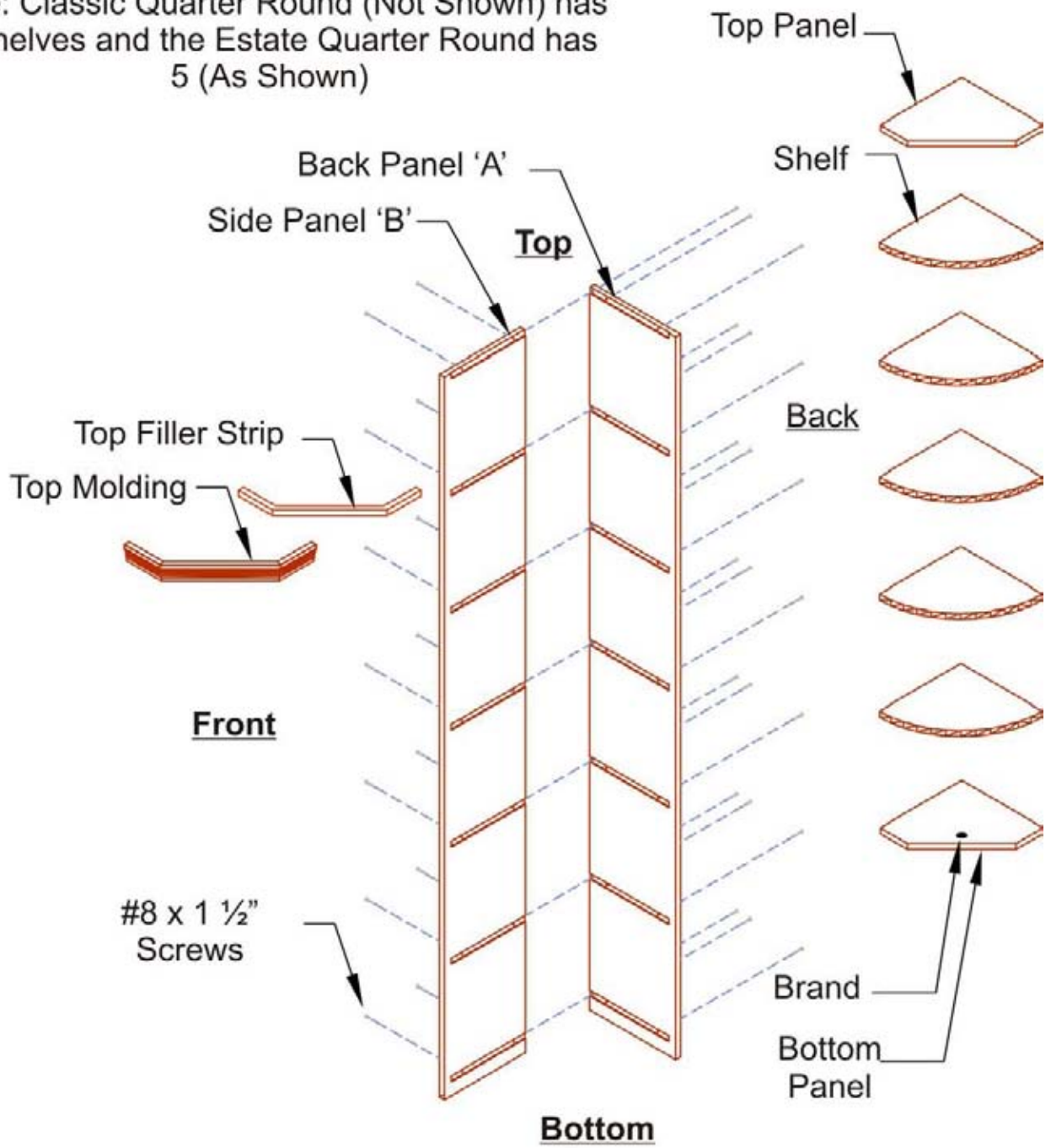
Remove Dust: Dust build up from small airborne particles may scratch the surface if not removed correctly. Simply wipe the surface with a cloth dampened with a cleaning polish or mild detergent.

Clean: Fingerprints, cooking fumes, smoking residue, etc., accumulate on any surface. None of these contaminants will harm our Clear Guard™ finish, but they should be periodically removed to restore the finish to its original luster. Just wipe the surface with a cloth dampened with a non-wax containing polish or mild detergent solution. Avoid the use of ammonia based products or silicone oil, as they may cause damage if used over a long period of time.

Our Clear Guard™ finish is durable and resistant to most household spills. However, spills should be wiped up promptly to avoid potential problems.

Excessive prolonged exposure to direct sunlight, high temperatures and high humidity can cause damage to both the finish and the wood itself. These should be avoided.

Note: Classic Quarter Round (Not Shown) has 4 Shelves and the Estate Quarter Round has 5 (As Shown)



Exploded View

Steps to Assembly

1. Locate panel B and place it on the floor with the shelf dados (or grooves) facing up (**Figure 1**).
2. Place panel A perpendicular to panel B with the shelf dados (or grooves) facing in (**Figure 1**).

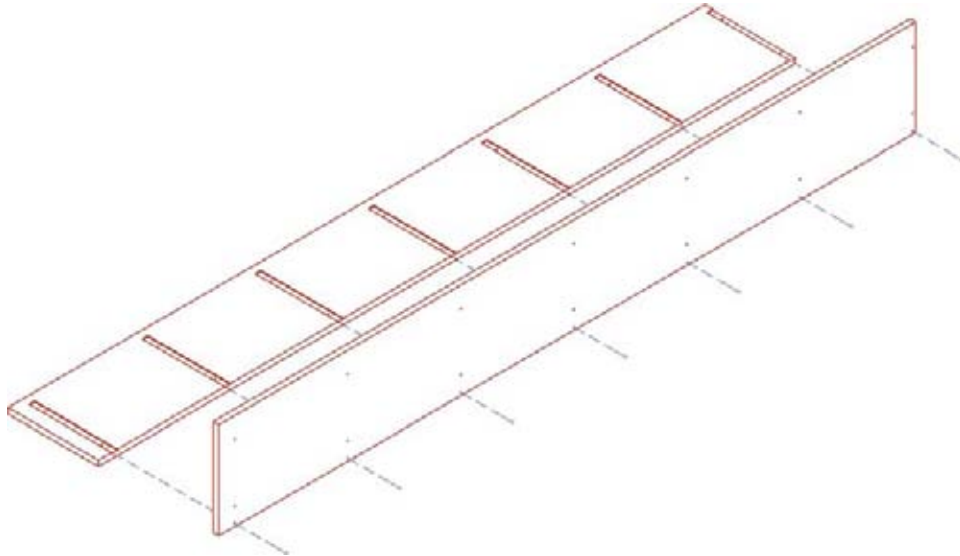


Figure 1

3. Find the pre-drilled screw holes on the seam of the outside face of panel A (where panel A and panel B are going to adjoin). Use a 9/64" drill bit to pre-drill screw holes into panel B by using the existing screw holes in panel A as guides (**Figure 2**).

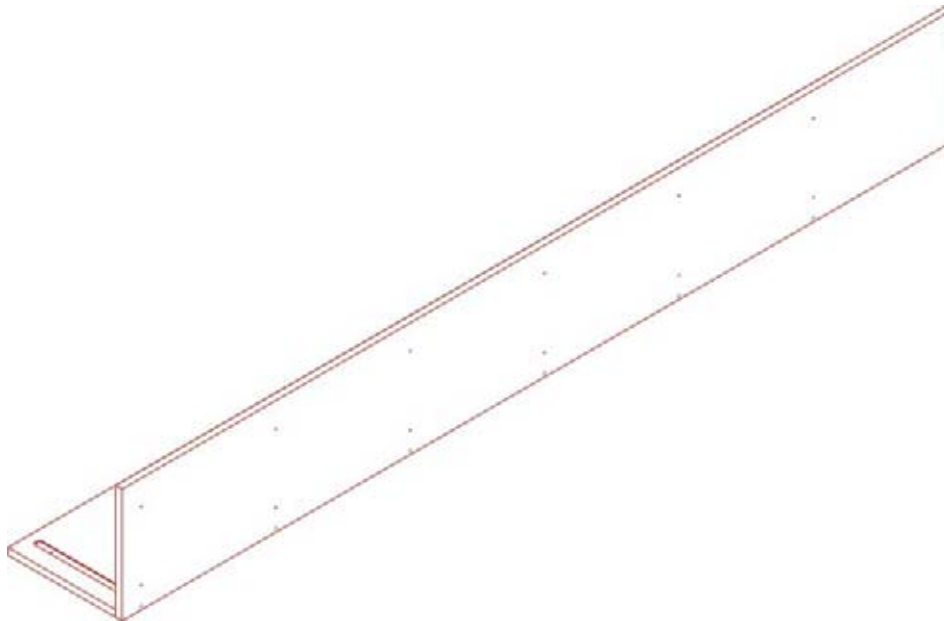


Figure 2

4. Attach panel A and panel B with the provided screws.

5. Locate your top and bottom panels and place them into the dados (or grooves) on the very top and very bottom of your quarter round display sides (**Figure 3**). Be sure to have the branded side of the bottom panel facing up.

*Note: If you do not want the Vigilant Brand showing turn your bottom panel over so that the brand is facing down.

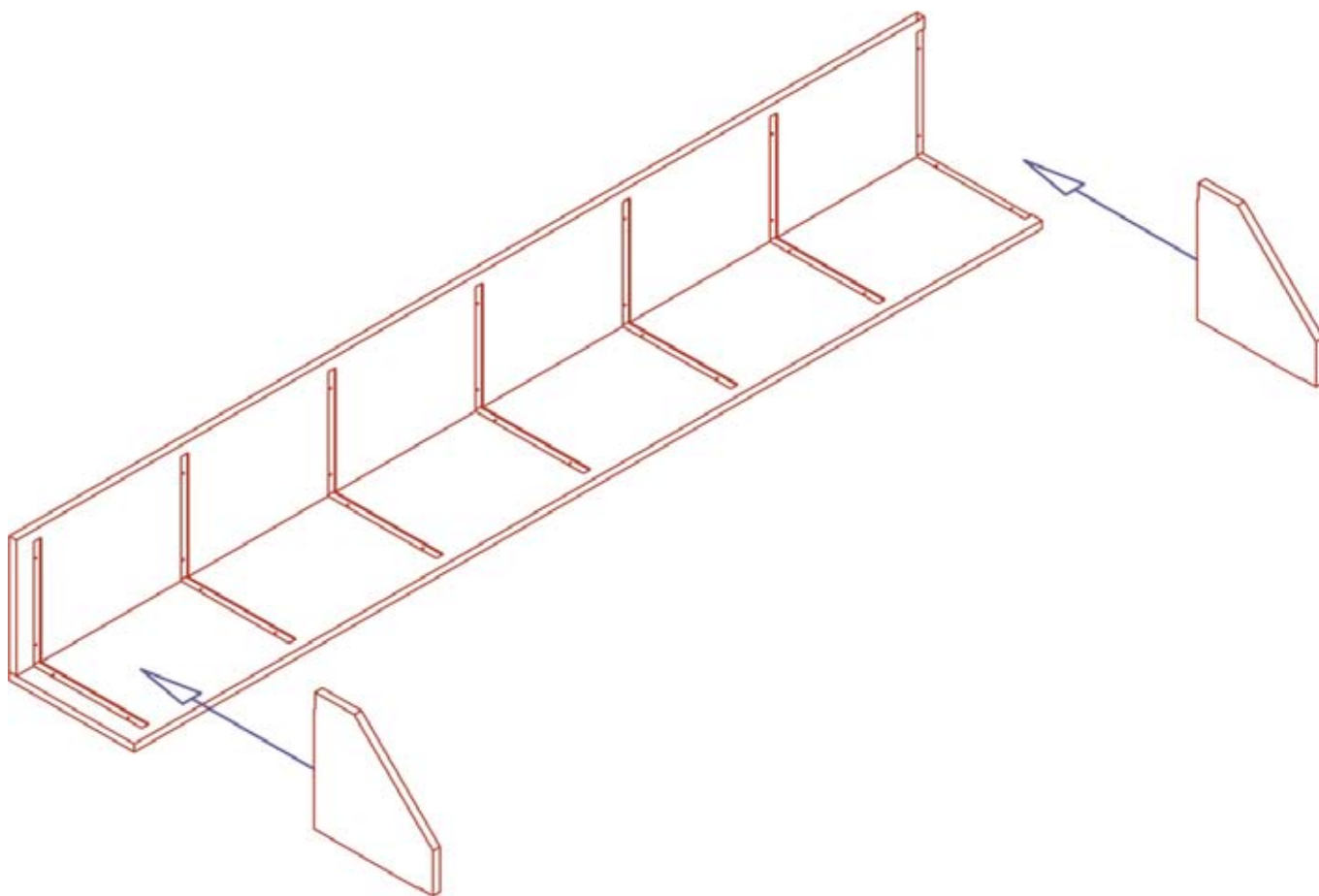


Figure 3

6. Pre-drill through the side panels and into the top and bottom panels (4 holes for each panel). Using the screws provided, fix each panel into place (**Figure 4**).

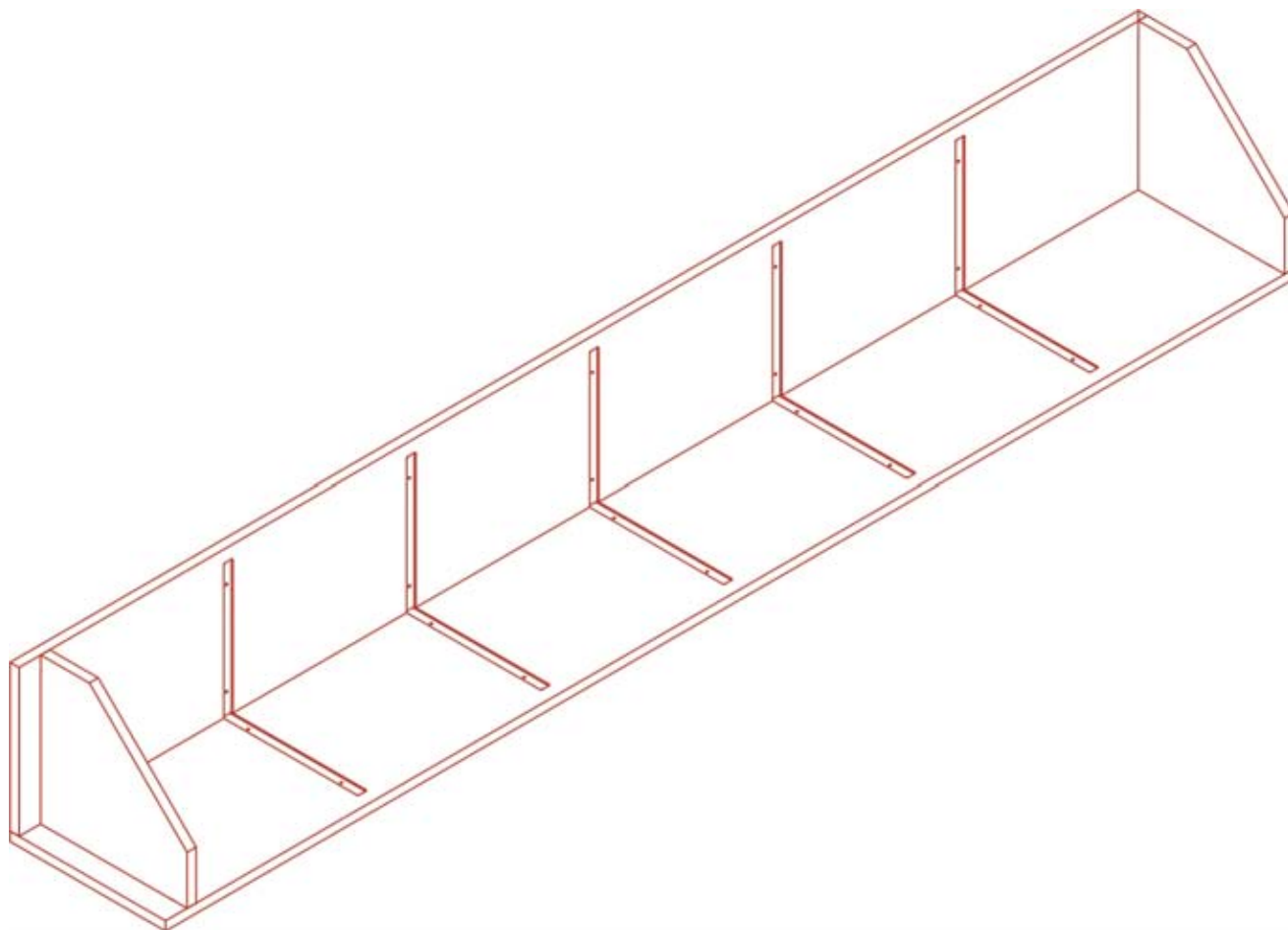


Figure 4

7. Repeat step 6 for the remaining shelves once the top and bottom panels have been attached (**Figure 5**).

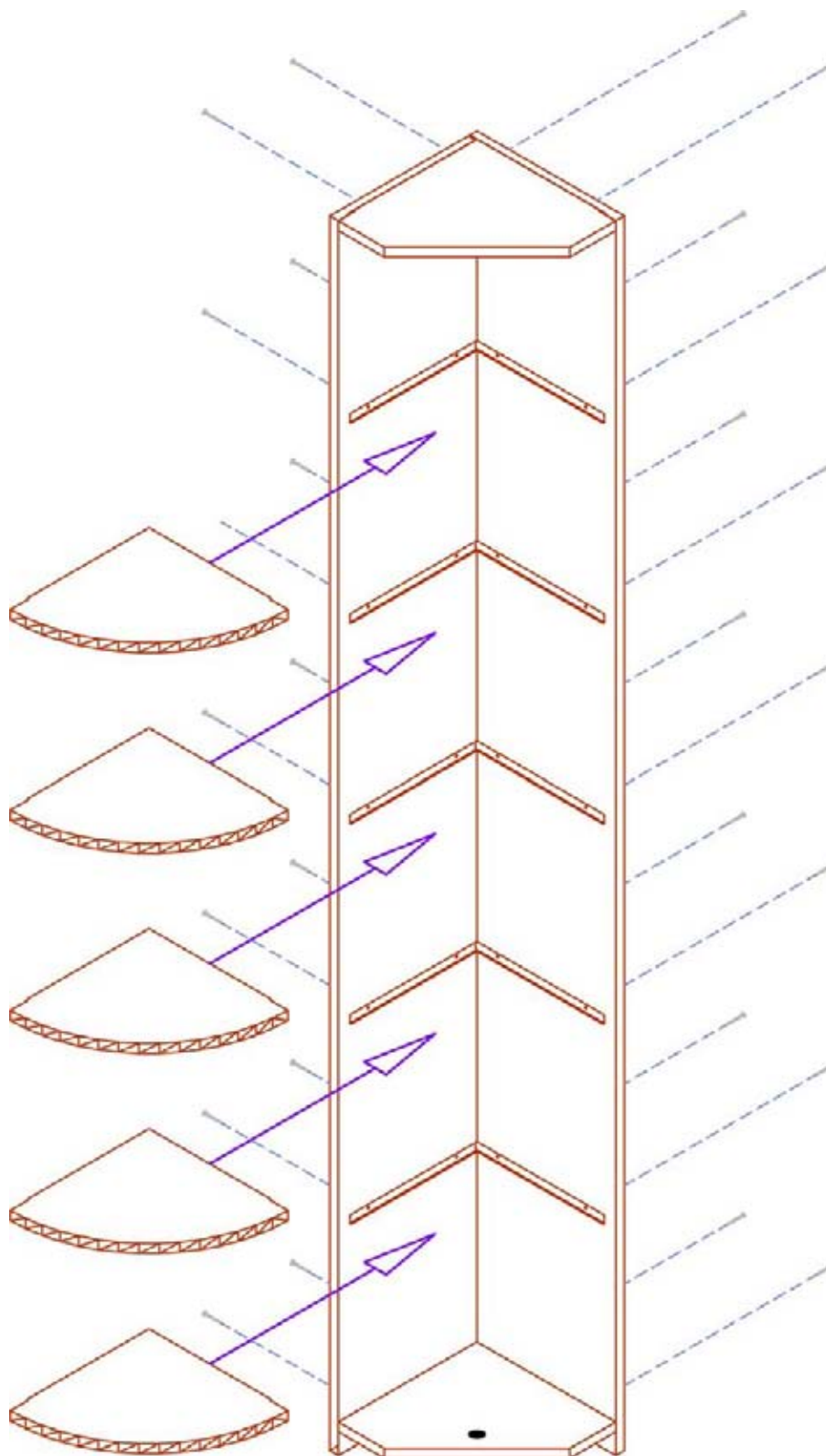


Figure 5

8. Locate the (3) bottom filler strip pieces (2 ½" wide) and set them in location on the bottom of the display (**Figure 6**). Make sure that the top of the filler strip piece and the bottom panel are flush with each other. Pre-drill through the existing pilot holes and then attach using the screws provided.

9. Attach the top filler strip pieces (¾" wide) in the same manner as the base molding (**Figure 6**).

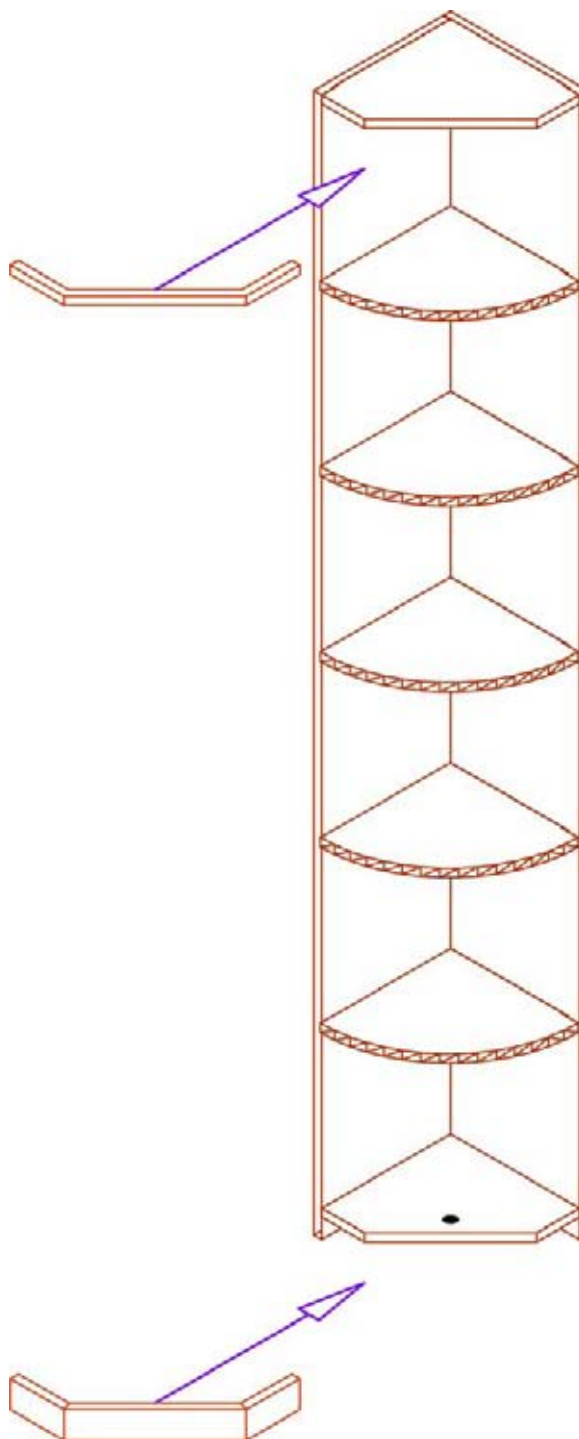
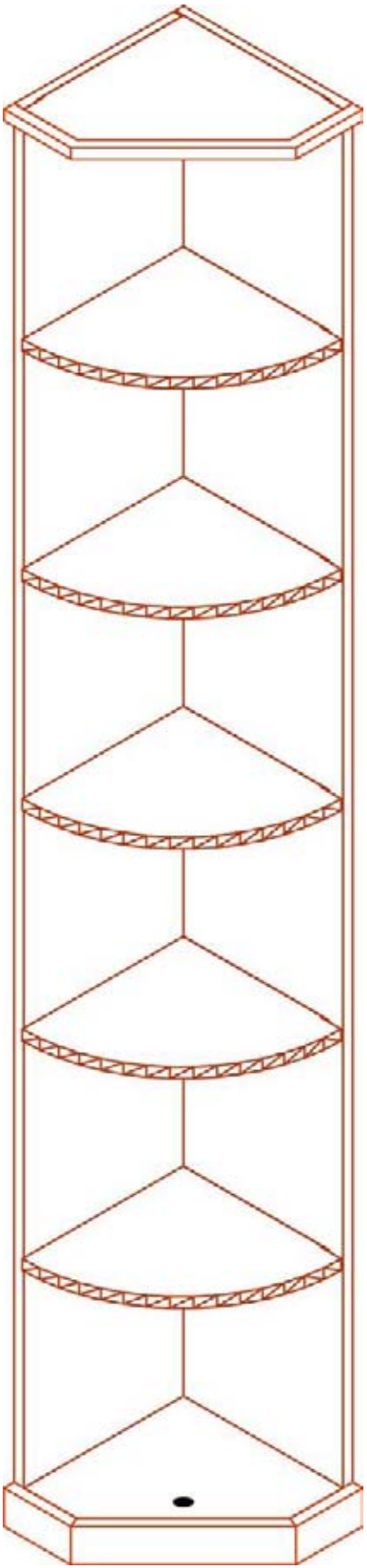


Figure 6

10. Stand your assembly up and place screw head caps onto any screw heads that are exposed.
11. Your display is now complete and ready to be moved to its final location. The display should be placed with its back against a wall and be shimmed to level, front to back and side to side.
12. Attach your display to the wall by drilling through one of the side panels and into two wall stud locations then fasten securely with wood screws (not provided).
*** Failure to attach the rack to the wall could result in the rack tipping over. When fully loaded with wine your rack will weigh 50lbs. for the Classic Series and 75lbs. for the Estate Series.*



Finished Quarter Round



Superior Design & Craftsmanship

Questions?

Please contact our Customer Service Department
at 888-812-4427

Vigilant Inc.
85 Industrial Park Drive
Dover, NH 03820
(603) 285-0400
Info@vigilantinc.com
Website: vigilantinc.com