



Superior Design & Craftsmanship

Mahogany Furniture Assembly Instructions

Tuscan Table



Parts List:

Before starting, carefully review the parts and quantities against the parts list to make sure you have everything you need. Then read through the instructions, taking time to familiarize yourself with the pieces and steps.

Tools Required for Assembly:

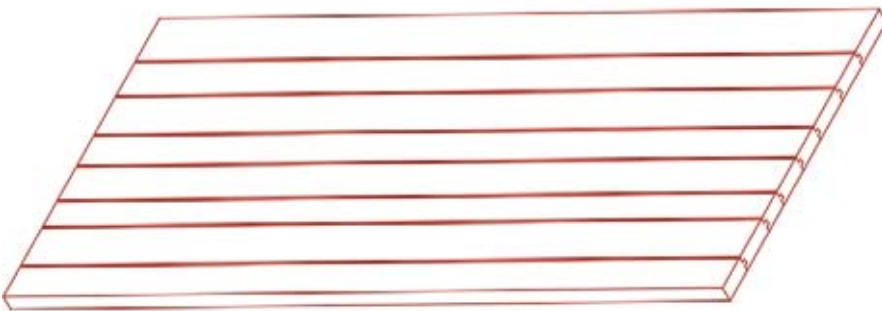
- Phillips Head Screwdriver
- Mallet (provided)



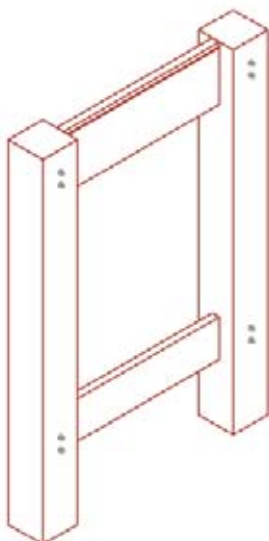
TOP SKIRT



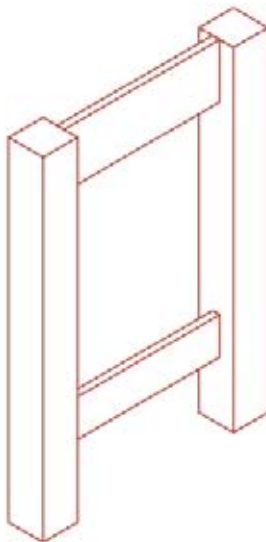
BOTTOM STRETCHER



WOOD TABLE TOP



LEFT SIDE
END ASSEMBLY



RIGHT SIDE
END ASSEMBLY

72" Tuscan Table

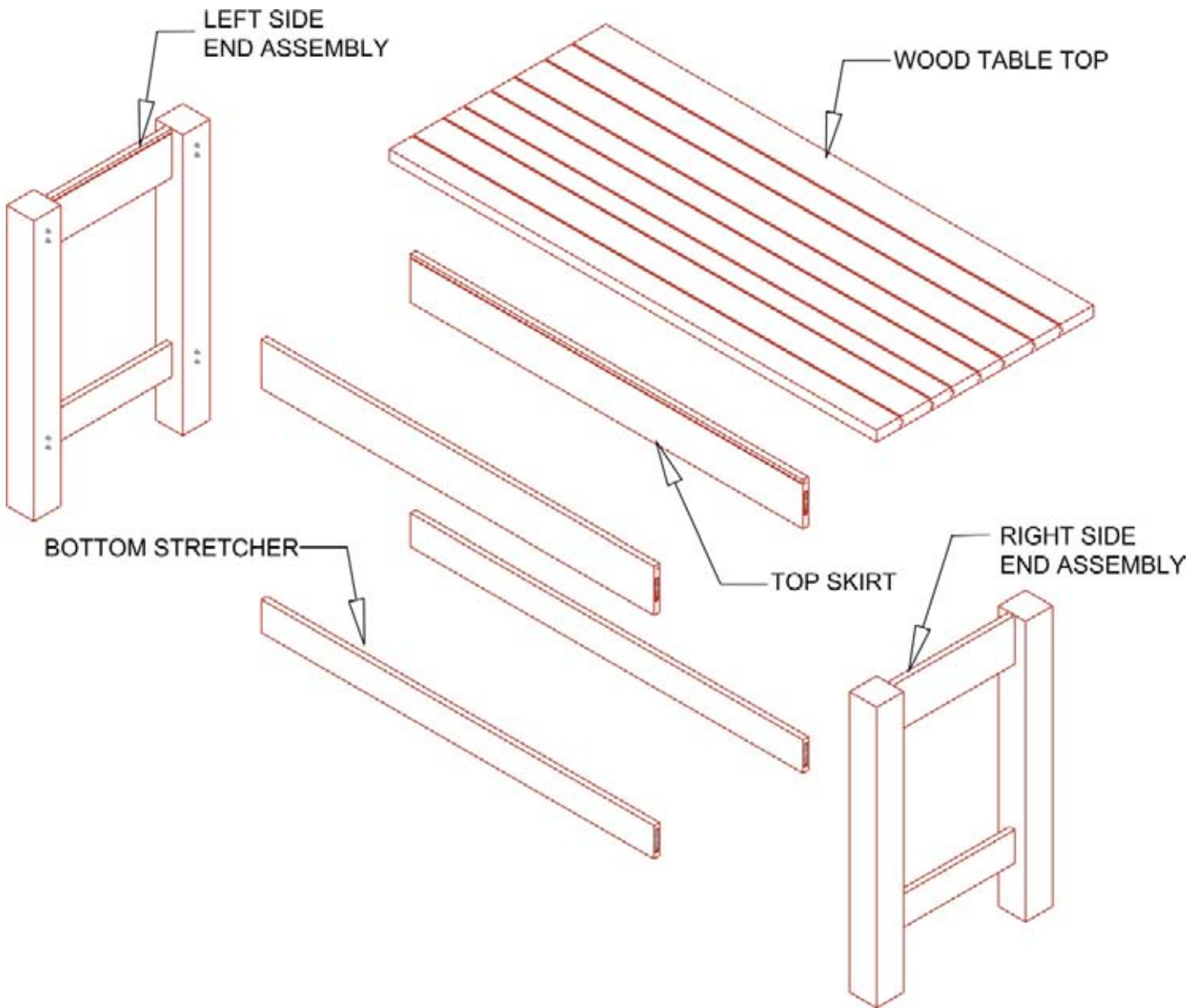
- Tabletop (72" long)
- 2 Bottom Stretchers (58" long)
- 2 Top Skirts (58" long)
- Right Side End Assembly (38 ½" tall)
- Left Side End Assembly (38 ½" tall)

48" Tuscan Table

- Tabletop (48" long)
- 2 Bottom Stretchers (34" long)
- 2 Top Skirts (34" long)
- Right Side End Assembly (38 ½" tall)
- Left Side End Assembly (38 ½" tall)

32" Tuscan Table

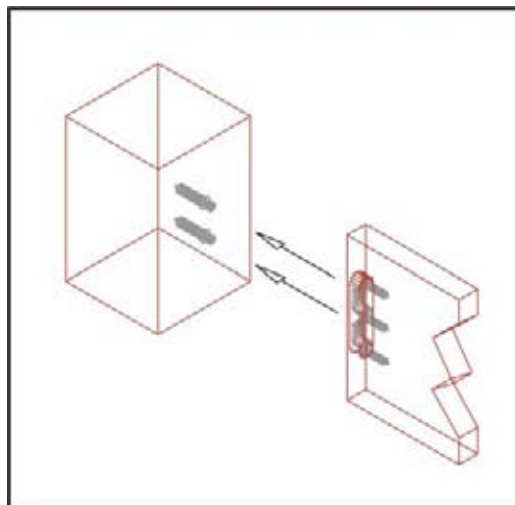
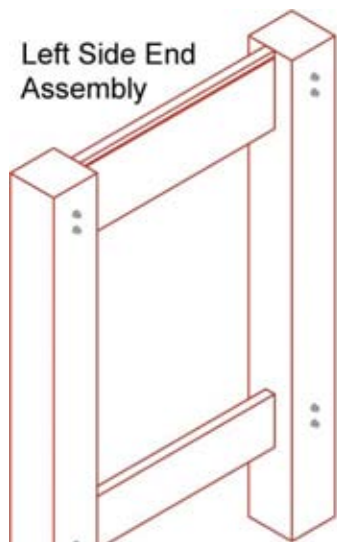
- Tabletop (32" long)
- 2 Bottom Stretchers (18" long)
- 2 Top Skirts (18" long)
- Right Side End Assembly (38 ½" tall)
- Left Side End Assembly (38 ½" tall)



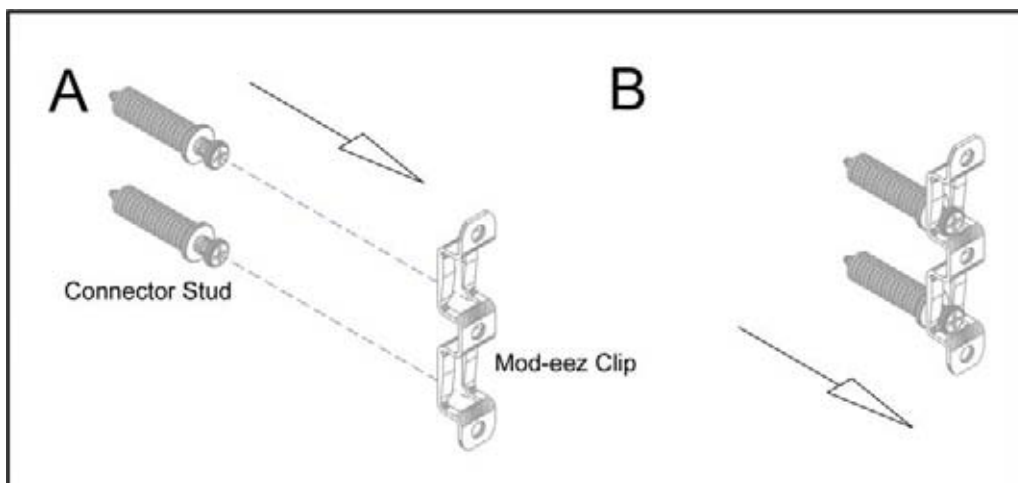
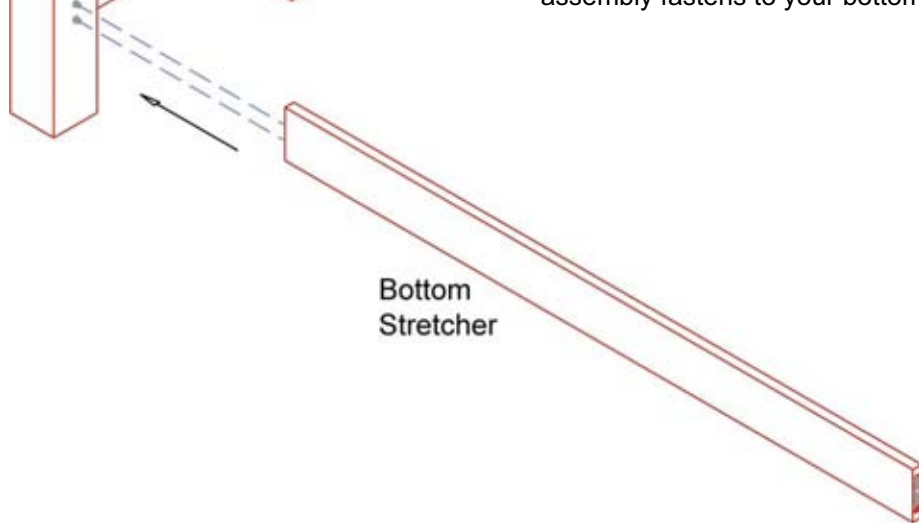
Exploded View

Note: It is recommended to have two people put this table together. One to mallet the stretcher or skirt into place and the other to hold the ends steady.

Step 1 The two end assemblies already have your connector studs attached and your bottom stretchers and top skirts have the mod-eez clip already inserted. To connect your end assemblies and stretchers, and later, your top skirts, place the connector studs into the mod-eez clip.

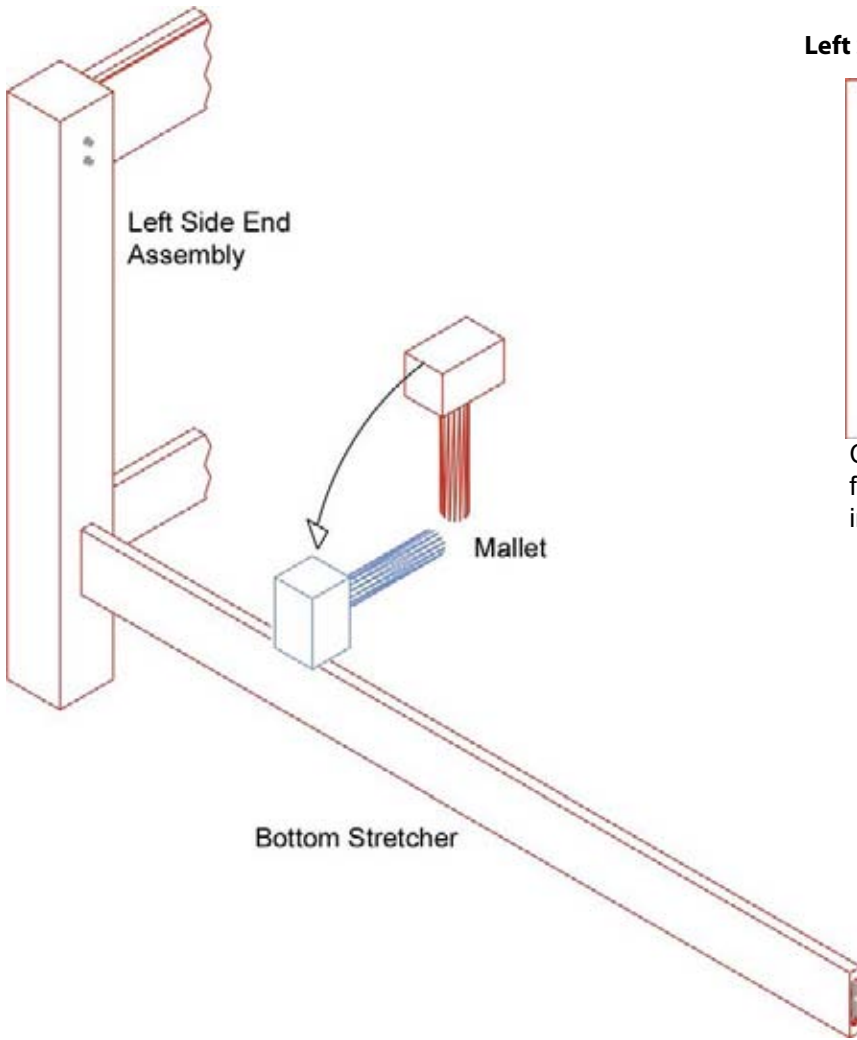


Close-up skeleton view of how your left end assembly fastens to your bottom stretcher.

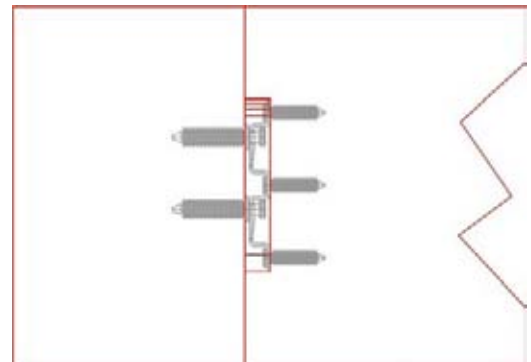


Close-up view of your connector studs going into the mod-eez clip.

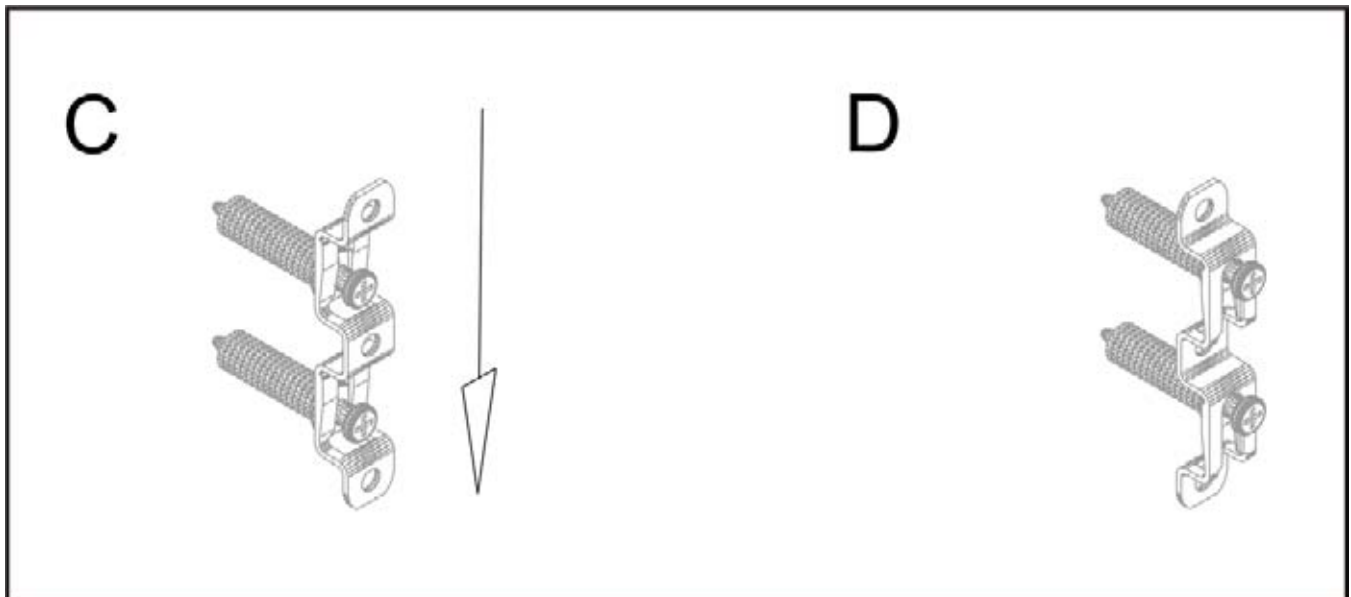
Step 2 Once your connector studs are in the clip, mallet your stretcher down to lock the connector studs into the mod-eez clip.



Left Side End Assembly **Bottom Stretcher**



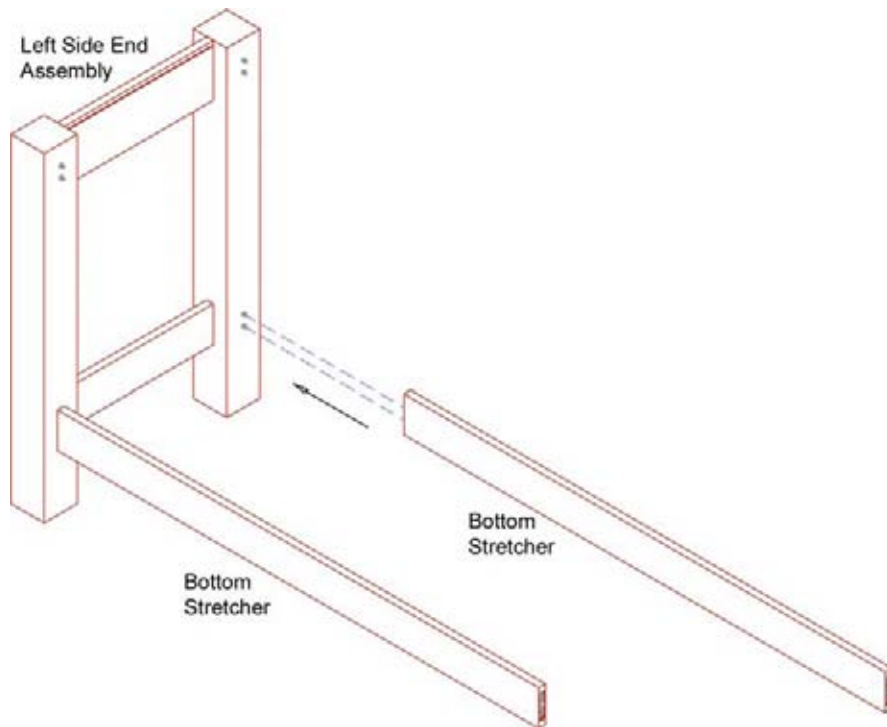
Close-up skeleton view of the the mod-eez fasteners after you mallet the bottom stretcher into place.



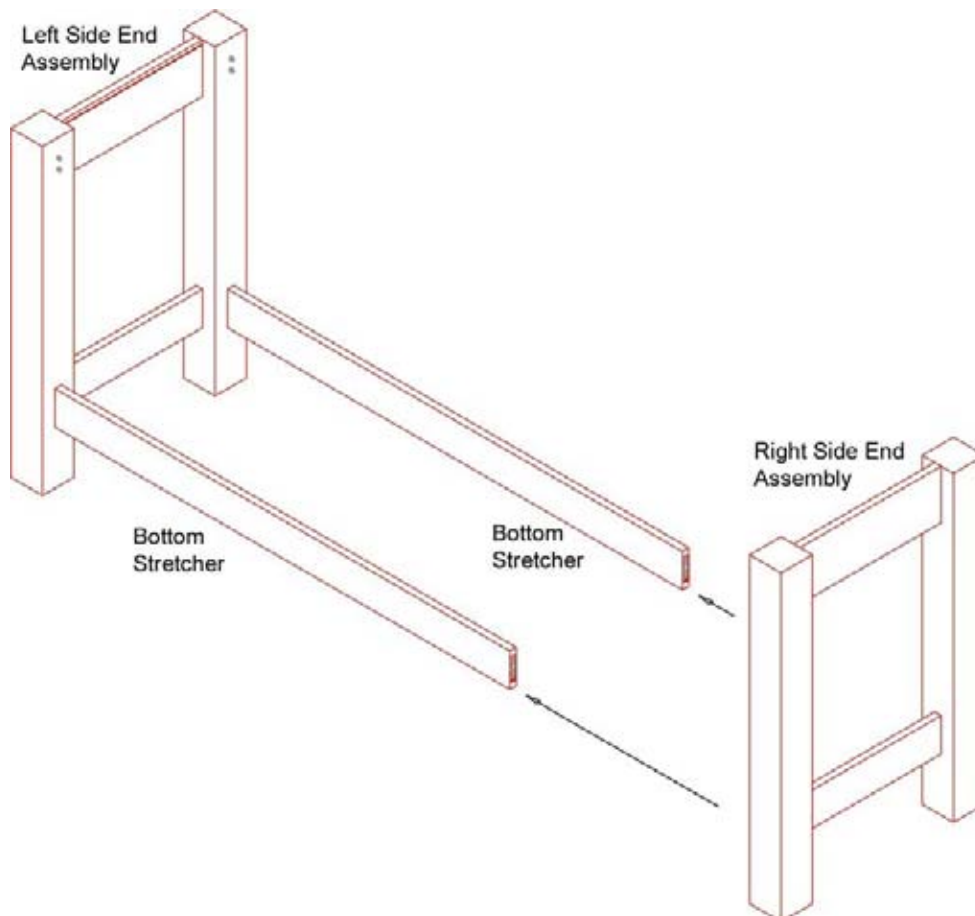
The mod-eez clip moves down over the studs to lock into place.

Repeat steps 1 and 2 for the remaining bottom stretcher and (2) top skirts.

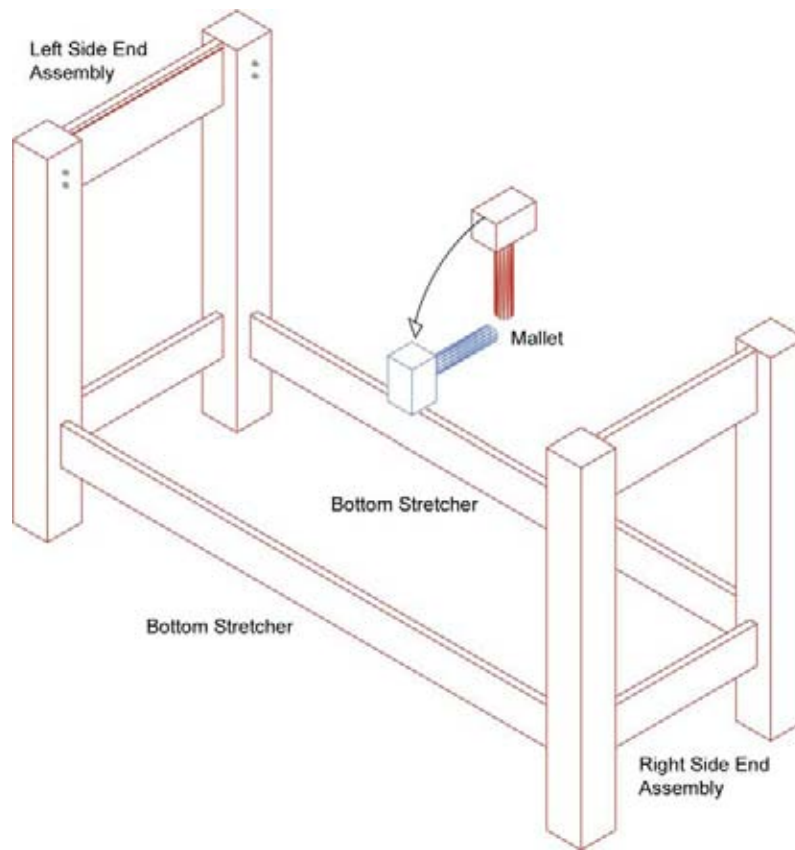
Step 3 It is recommended to attach the stretchers to one side end assembly at a time and repeat with the remaining side end assembly.



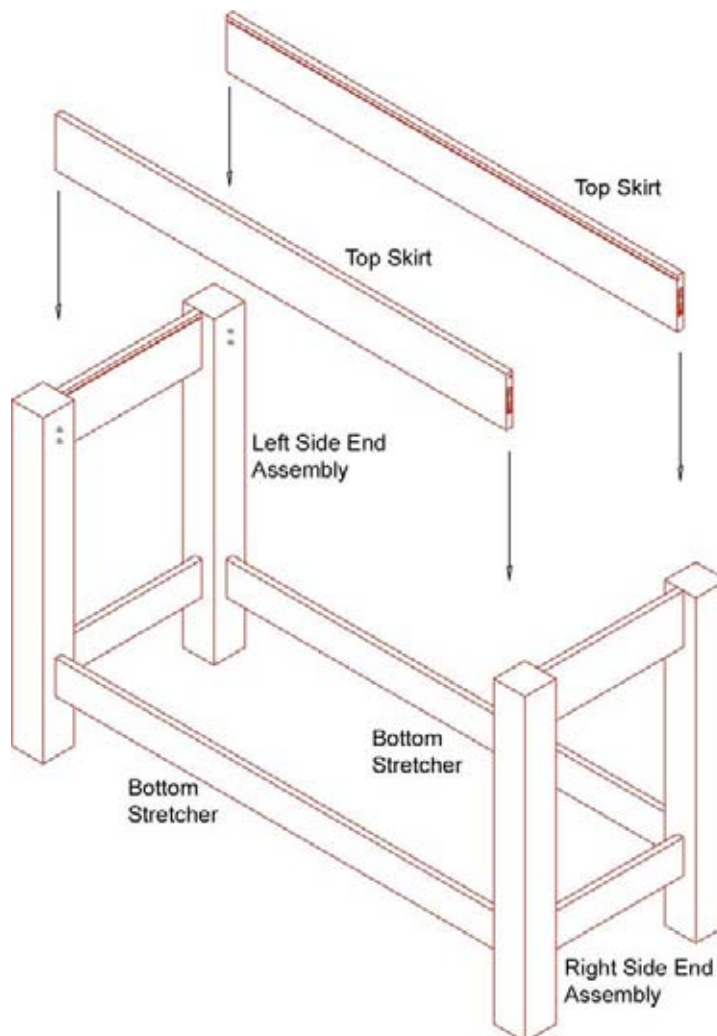
Step 4



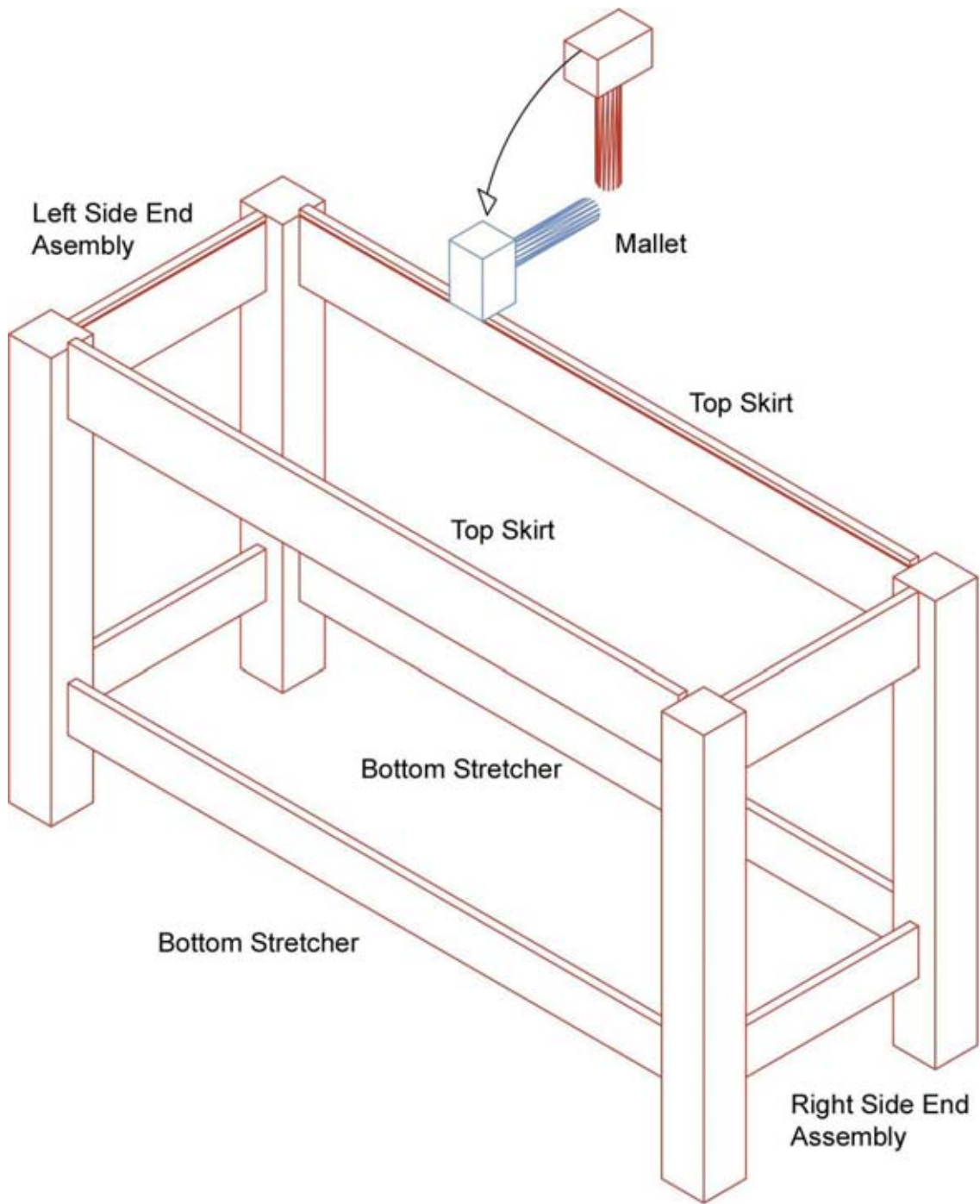
Step 5



Step 6

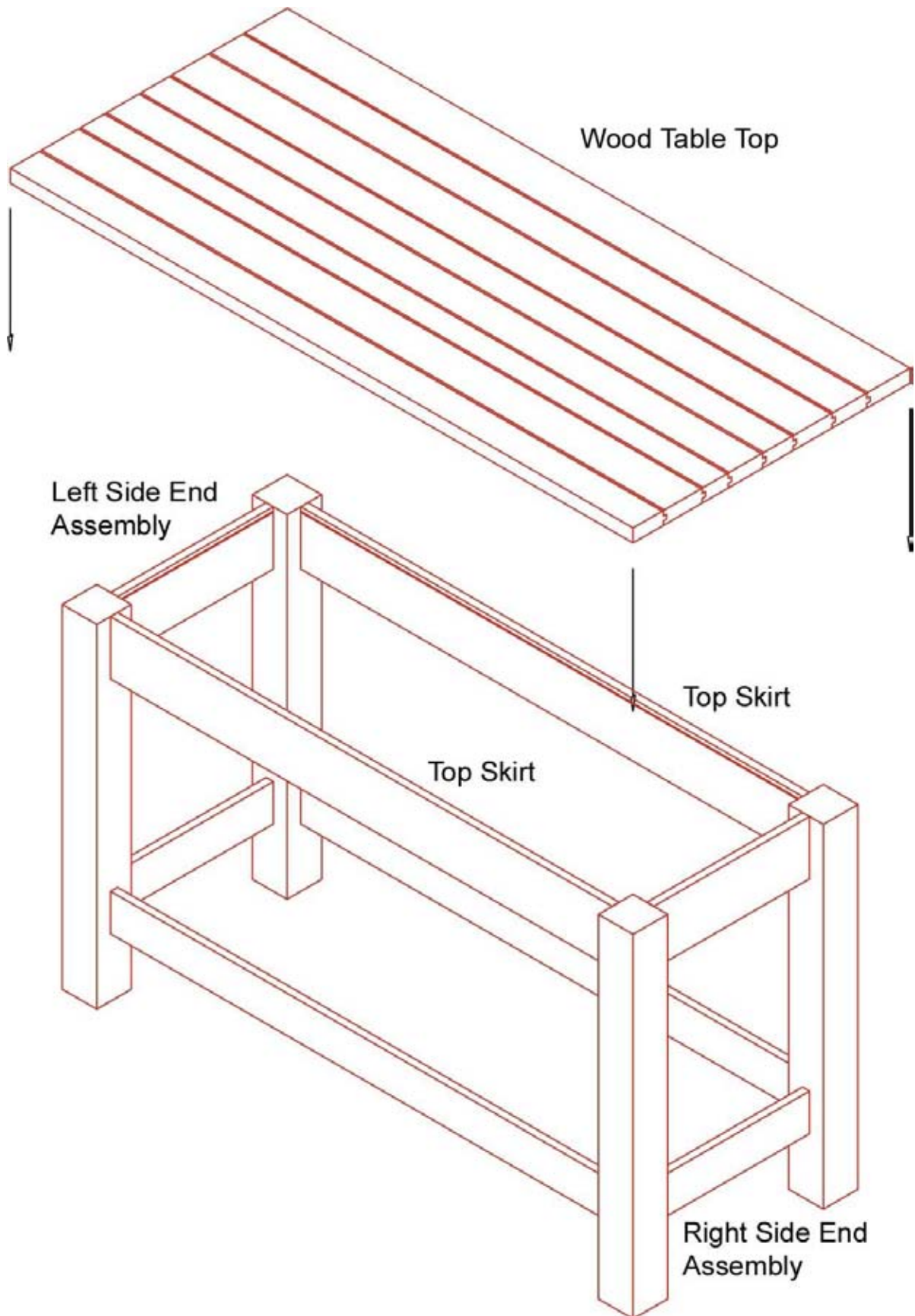


Step 7

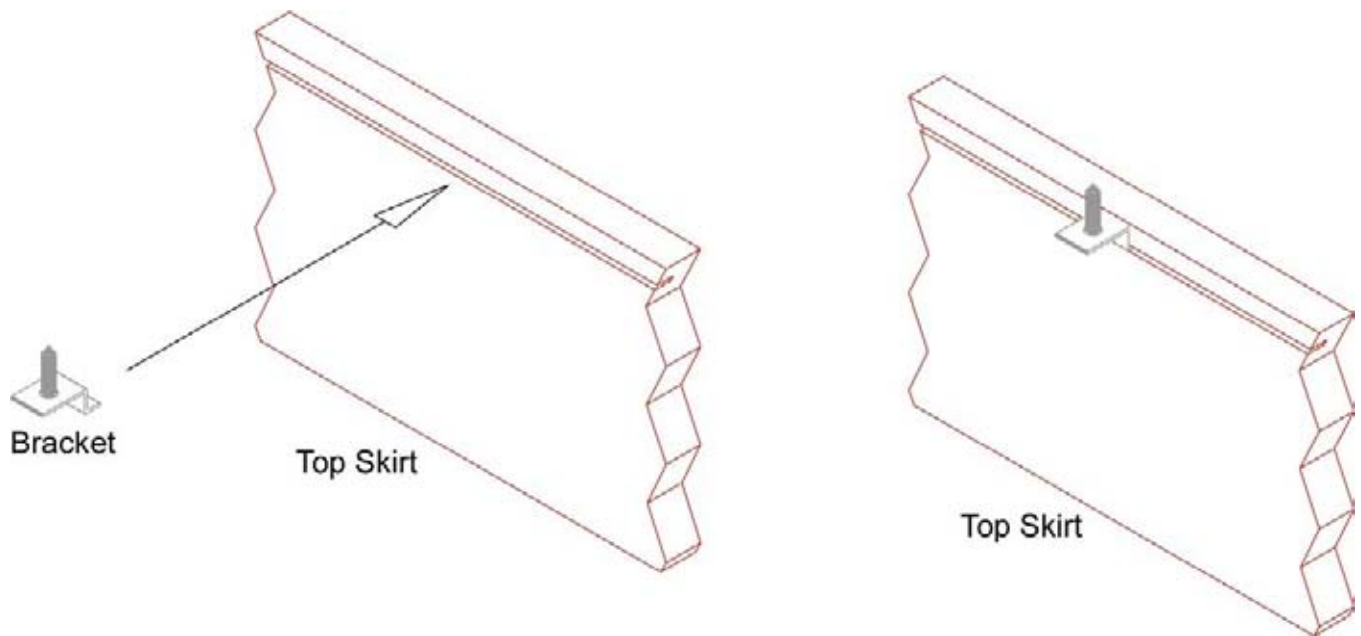


Step 8

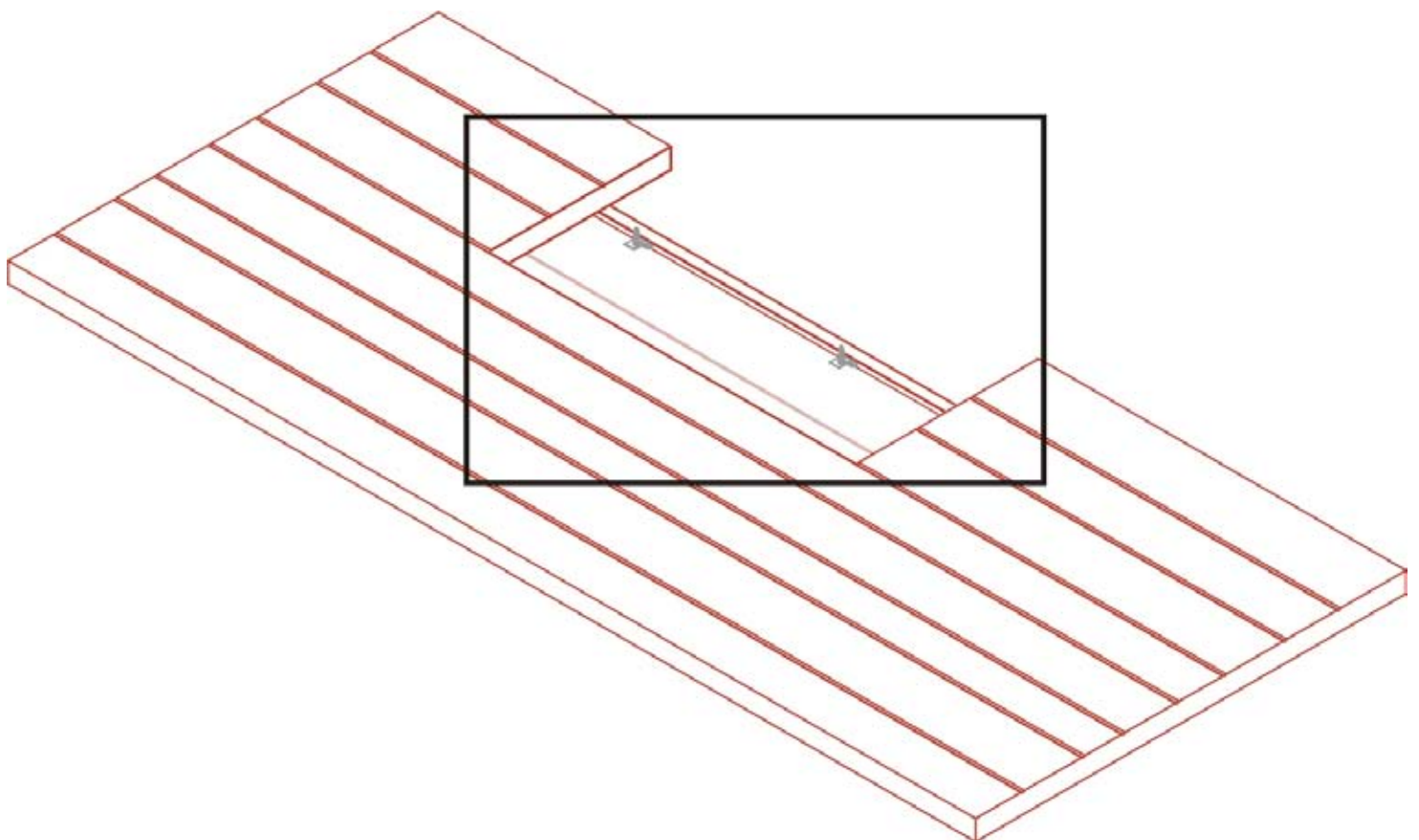
Place the table top directly over the completed table base with the pre-attached brackets facing down.



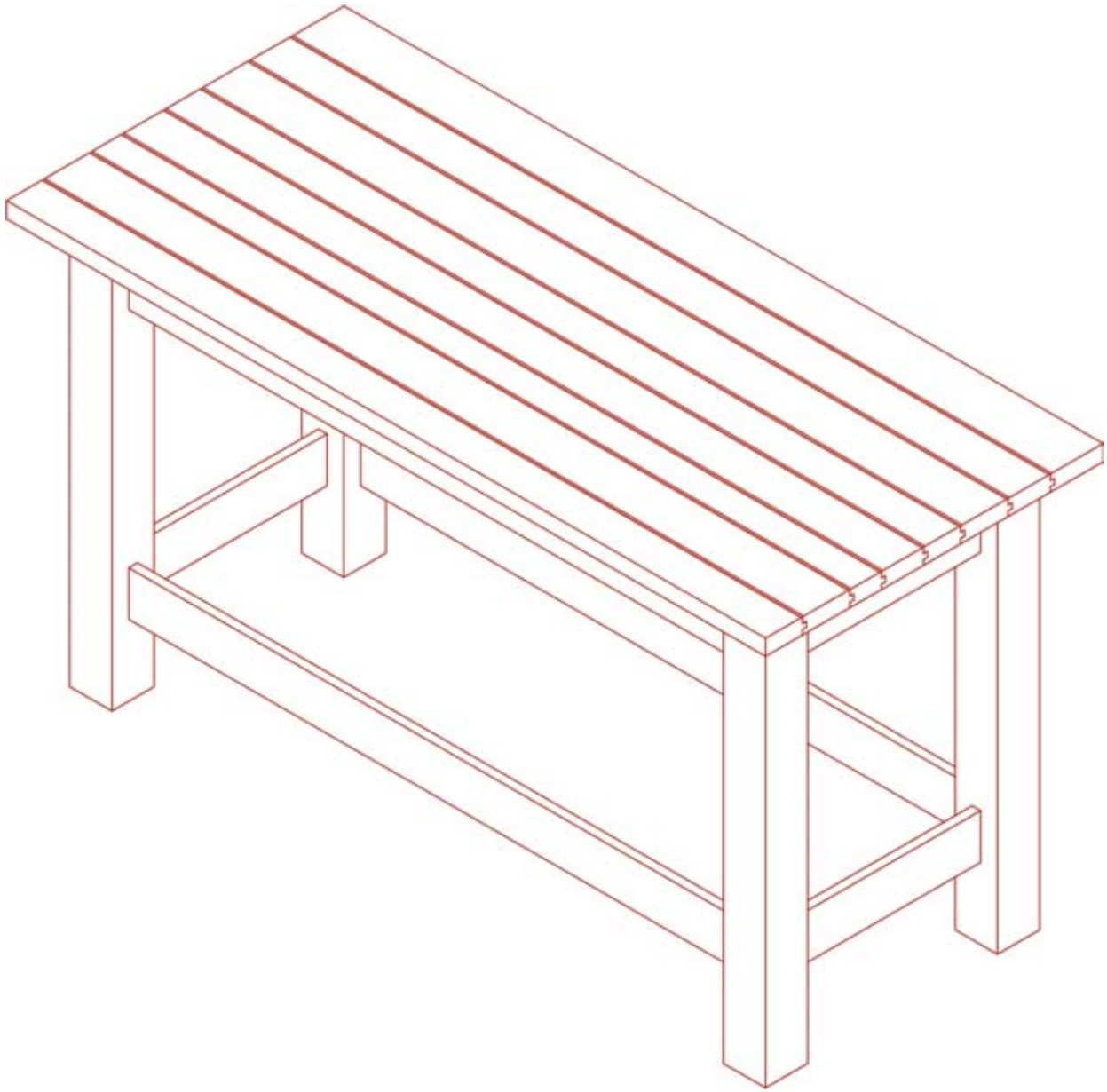
Step 9



The brackets, which are already attached to the under side of your tabletop, turn and slide into the grooves on your top skirt, as shown above. From underneath the table, secure the brackets into place by tightening the screw with a screw driver.



A piece of the table top has been taken out for you to see where the bracket turns into the top skirt.



Finished Table



Superior Design & Craftsmanship

Questions?

Please contact our Customer Service Department
at 888-812-4427

Vigilant Inc.
85 Industrial Park Drive
Dover, NH 03820
(603) 285-0400
Info@vigilantinc.com
Website: vigilantinc.com