



Superior Design & Craftsmanship

Vigilant Cigar Humidor Vault Assembly Instructions



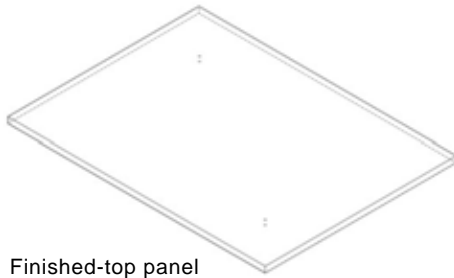
Models: 1000, 1500, and 2000

Congratulations! You have purchased a superior cigar humidor. These humidors have been specifically designed to properly store and protect your cigars. Please call us toll-free 888-812-4427 if you have any questions or problems.

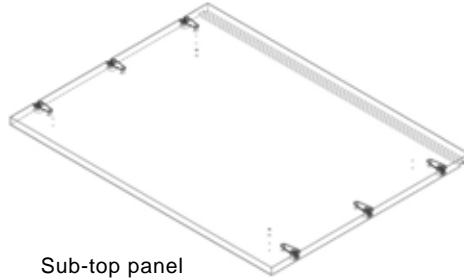
CABINET PARTS

Tools Required:

Phillips head screwdriver; flat head screwdriver
Power Drill
1/8" drill bit



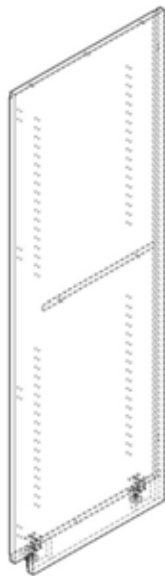
Finished-top panel



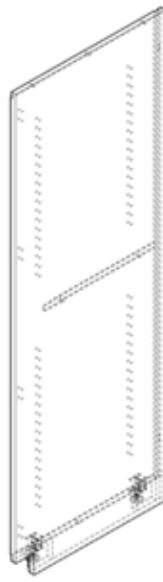
Sub-top panel



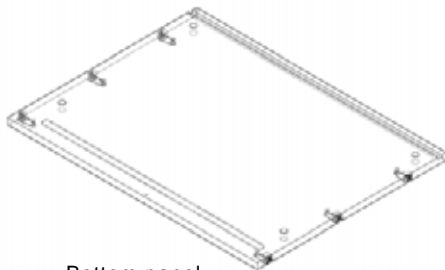
Back panel



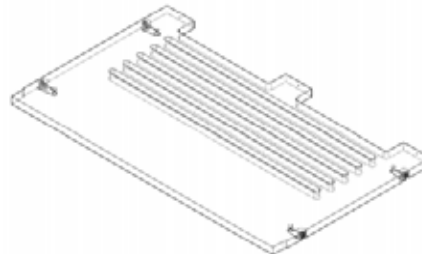
Left side panel
with leveling feet



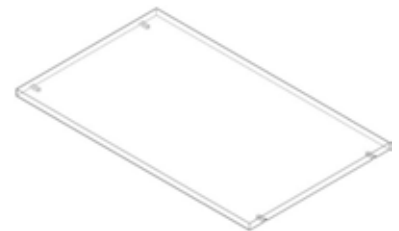
Right side panel
with leveling feet



Bottom panel



Fixed shelf



Adjustable shelves (4)

Parts:

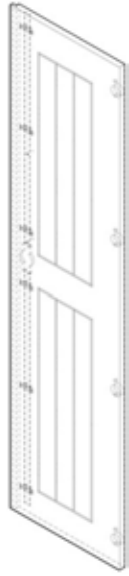
- 1 finished top panel
- 1 sub-top panel
- 1 back panel
- 2 side panels with attached leveling feet (1 left, 1 right)
- 1 bottom panel
- 1 fixed mid-shelf with slots
- 4 adjustable shelves
- 2 doors with locking hardware
- 1 toe kick

Hardware:

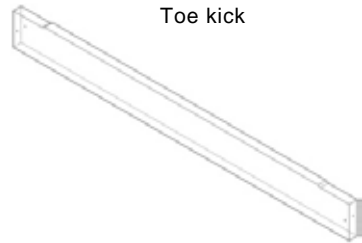
- 16 connector studs
- 8 hinges and hinge plates
- 2 door handles with screws
- 2 Keys
- 2 lock bar strike plates
- 4 #6 1/2" screws for lock bar strike plates
- 2 locator dowels for top
- 16 adjustable shelf pins
- 4 modesty blocks
- 12 1-inch countersink wood screws for modesty blocks
- 9 1-1/4" round head washer screws for toe kick, back, top
- 4 plastic hole caps for covering leveling leg holes



Left door

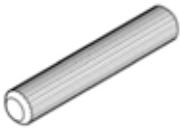


Right door



Toe kick

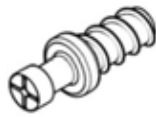
HARDWARE



Locator dowels (2)



#6 1/2" round head washer screws for lock bar plates (4)



Connector studs (16)



#8 1 1/4" washer screw (9)



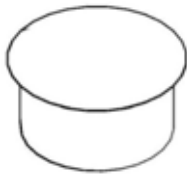
1" countersink wood screws (12)



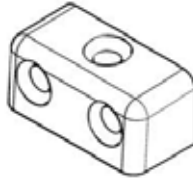
Adjustable shelf pins (16)



Door handles with screws (2)



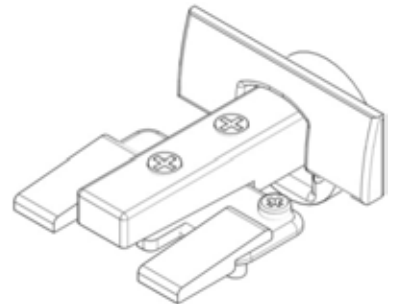
Plastic leg leveler hole plugs (4)



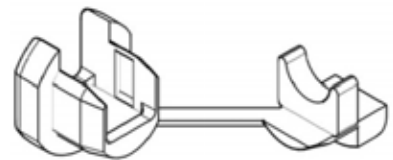
Modesty blocks (4)



Lock bar strike plates (2)



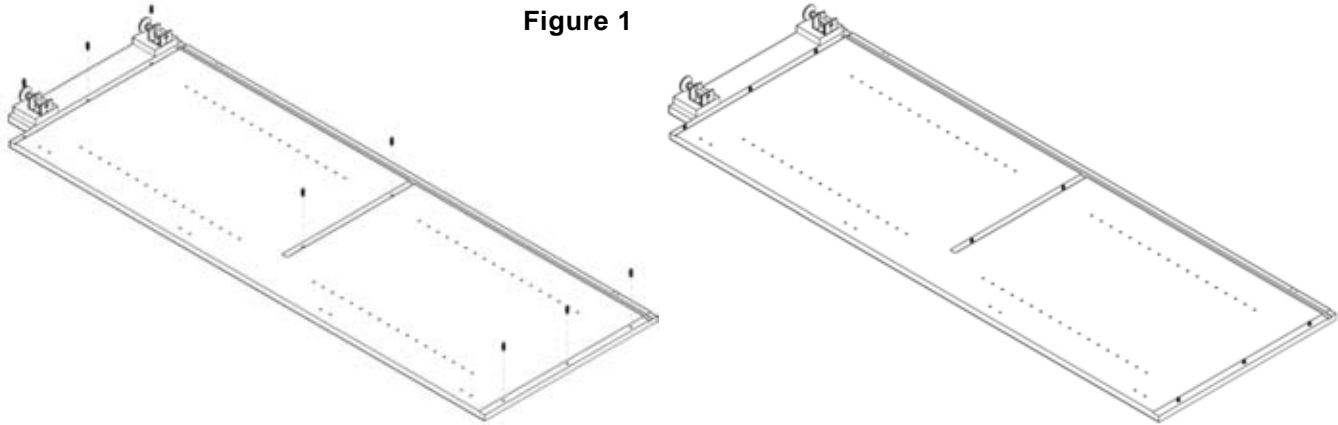
Hinges with attached hinge plates (8)



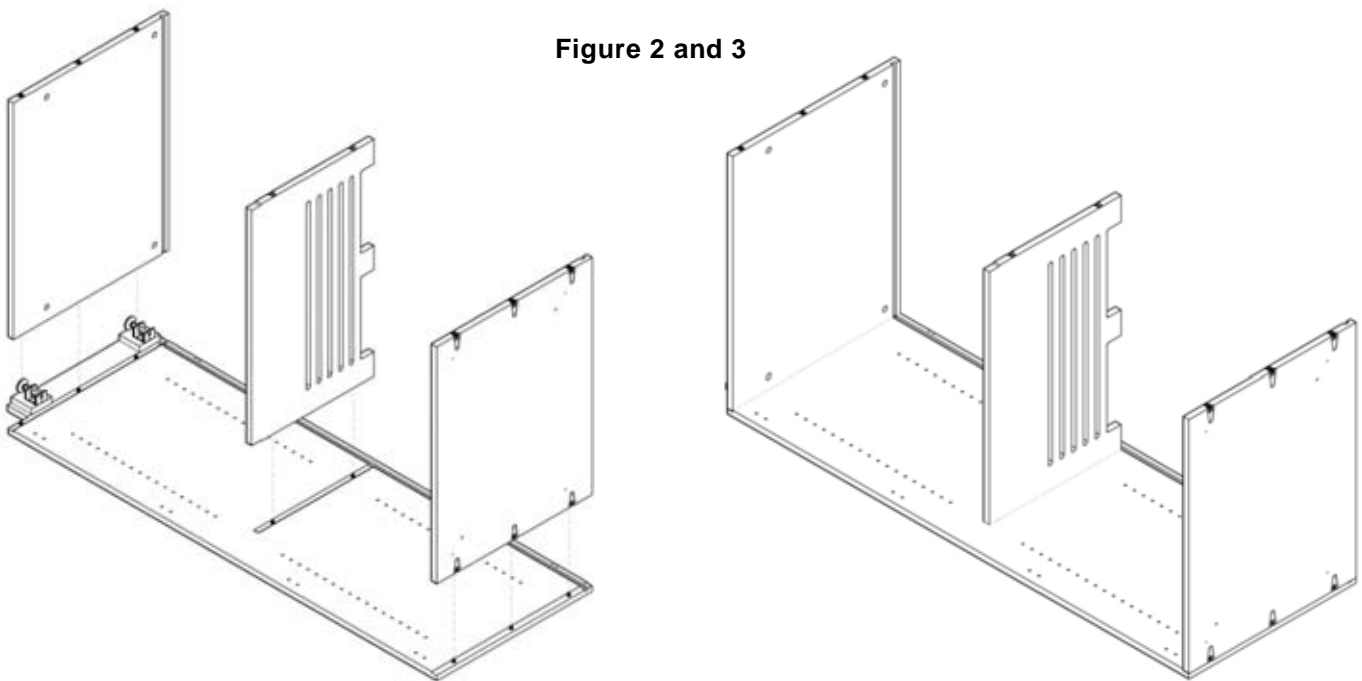
Power cord grommet (1)

STEPS TO ASSEMBLY

1. Locate the left and right side panels and lay them out on a flat, scratch-free surface with fastener and shelf-pin surfaces facing up. Find the 8 connector stud holes on each side and screw connector studs into the holes. Be careful not to over-tighten the connector studs.



2. Set the bottom panel into slot in right side panel with cam fittings facing outward, making sure panel grooves are aligned. Tighten cam fittings around connector studs by turning clockwise 180 degrees. **DO NOT OVERTIGHTEN.**
3. Set the sub-top panel into the slot on top of the right side panel with cam fittings facing the exterior of the cabinet, making sure grooves are aligned. Tighten cam fittings around connector studs by turning clockwise 180 degrees. Attach the fixed shelf to the right side panel by sliding it into the groove and aligning connector studs with cam fittings facing toward the bottom. Tighten the cam fittings around the connector studs.



4. Locate the back panel and slide it into the dado grooves on the sub-top panel, bottom panel and into the dado on the right side panel. Make sure the hole in the back panel is at the bottom of the cabinet.

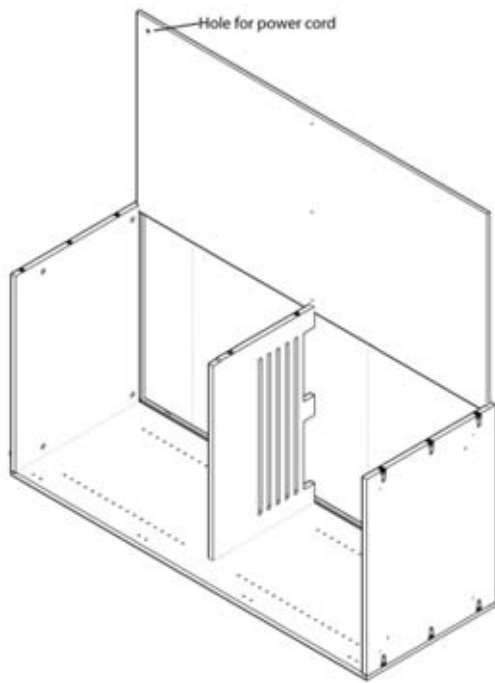
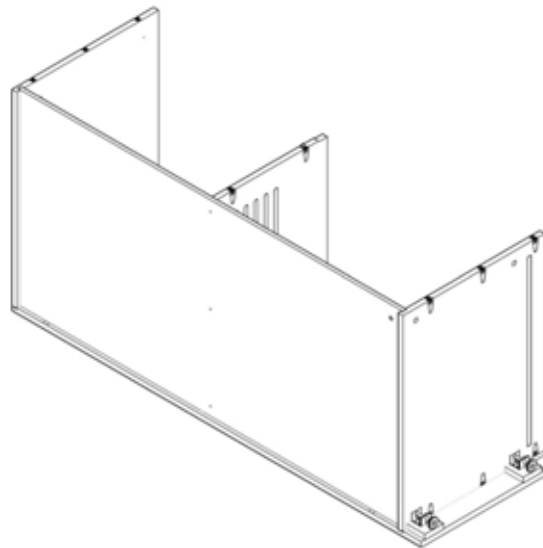


Figure 4



5. Place left side panel with slots and grooves facing cabinet interior onto the cabinet assembly, aligning cam fittings with connector studs. Make sure that the groove in the left side panel aligns with the edge of the bottom panel. Tighten all remaining cam fittings around connector studs. **DO NOT OVER-TIGHTEN.**

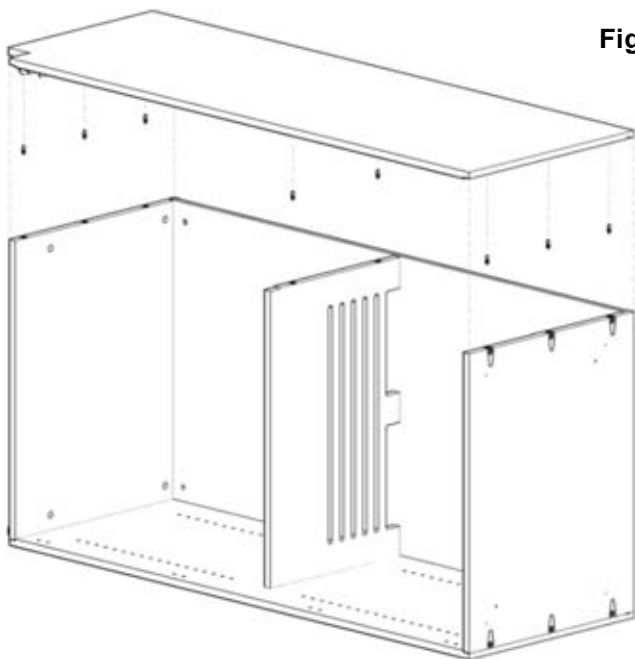
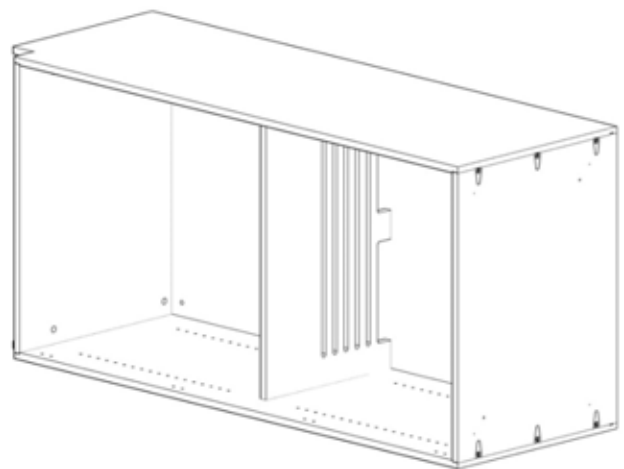
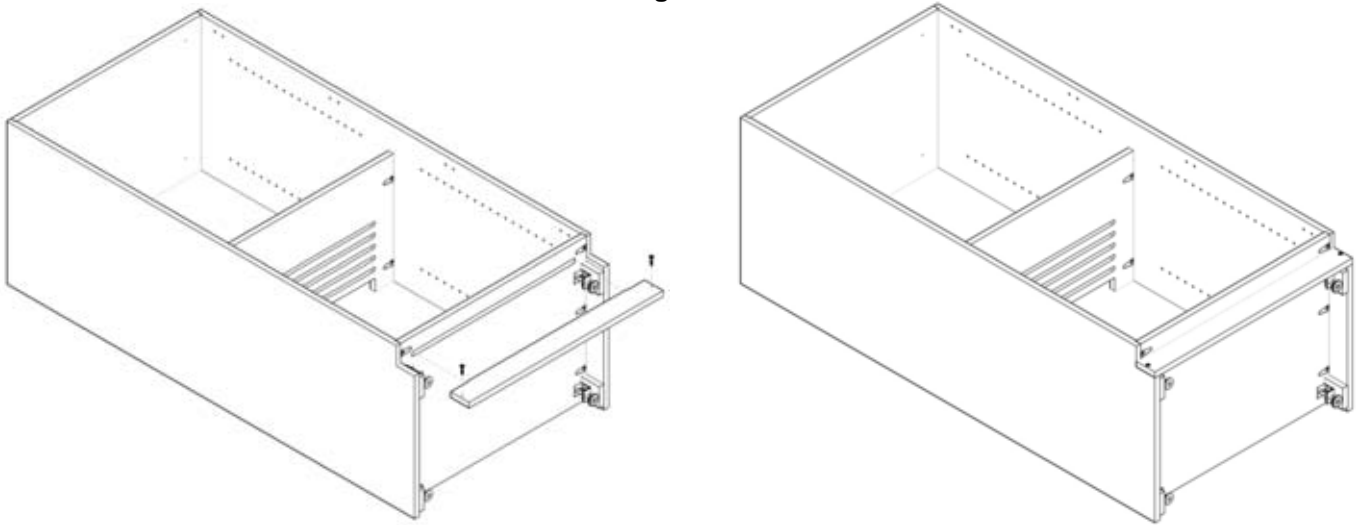


Figure 5



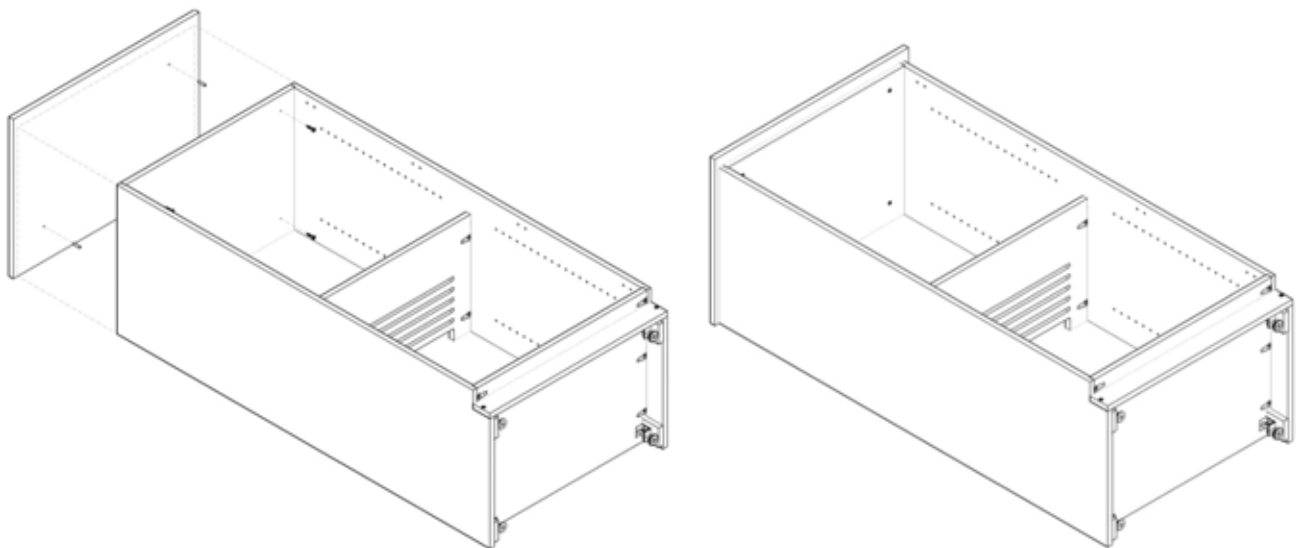
6. Once cabinet is assembled, lay it on its back with opening facing up and put toe kick in place. Using a 1/8" drill bit, pre-drill through the holes in the toekick into the cabinet sides. Attach toe kick using two supplied round-head screws. **Important:** Pre-drilling the screw holes will prevent splitting the side panels.

Figure 6



7. Set 2 locator dowels into the holes in the top of the cabinet. Locate the finished top panel and set it on top of the cabinet, aligning the holes in the top with the dowels on the cabinet. Use 4 round head washer screws to attach the top to the cabinet.

Figure 7



8. Locate the four modesty blocks and 12 screws. Before attaching modesty blocks, make sure the cabinet is square. Use a tape measure to check the diagonal measurements of the cabinet. Both measurements should be the same. If they are not, push the corners of the cabinet until diagonal measurements are equal.

Modesty blocks: Once the cabinet is square, attach modesty blocks in pre-drilled locations on the back of the cabinet assembly using 2 screws in the cabinet sides and 1 in the cabinet back for each block. (It may be easier to put the cabinet on its face, being careful to place it on a blanket or scratch-free surface.)

Fixed shelf: Using a 1/8" drill bit, pre-drill into the shelf at the hole locations in the center back panel. Using 3 round-head washer screws, attach the back panel to the fixed shelf.

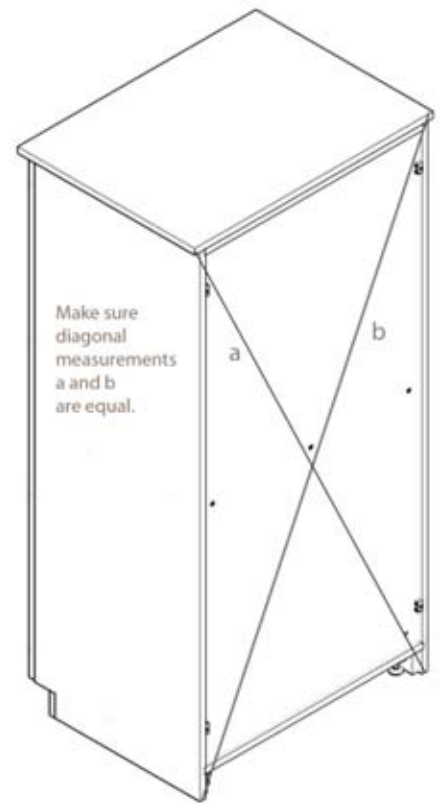
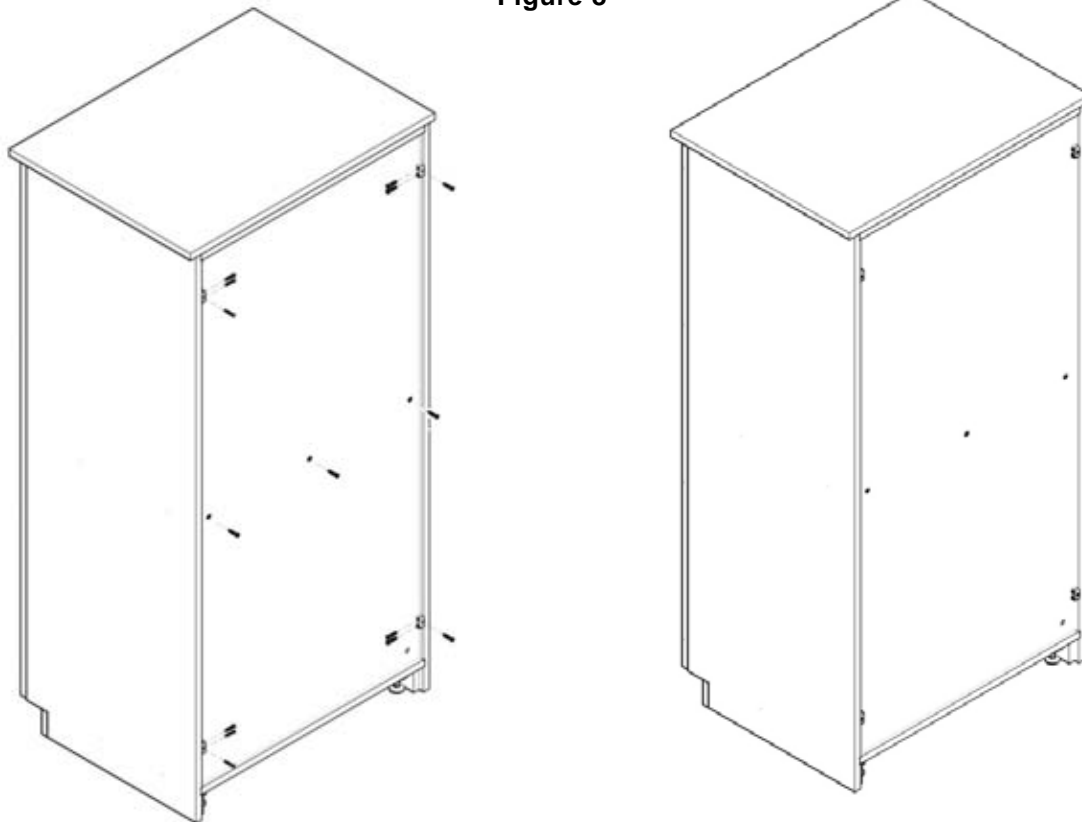


Figure 8



NOTE: Before installing the doors, move the cabinet to its permanent location. Using a level, check that the cabinet is level from side to side and front to back. Adjust the leveling legs in the cabinet floor by using a flathead screwdriver. When the cabinet is level in its permanent location, proceed to Step 9.

9. Locate the 2 door panels and place them on a flat surface with the insides facing up. Separate the hinges from the hinge plates by squeezing the back of the hinge. (See **Figure 9a**). Take note of how the hinges and plates fit together. Take the 8 hinges (4 for each door) and set them in the pocket holes in the doors. Apply the hinge plates to the holes on the insides of the side panels. Carefully clip the doors in place. (See **Figure 9c**, “Adjusting the Door Hinges,” page 10.) Attach the door handles to the doors using pre-drilled holes.

Figure 9a: Hinges

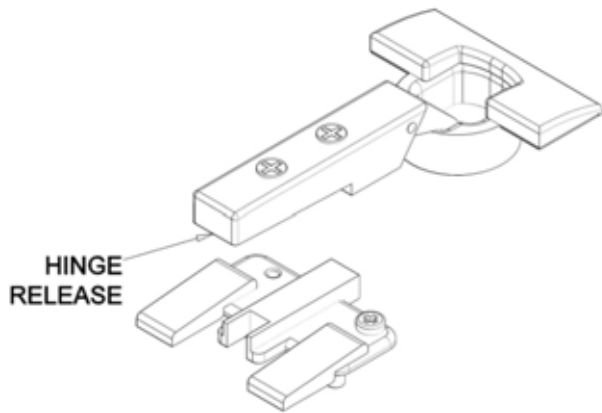
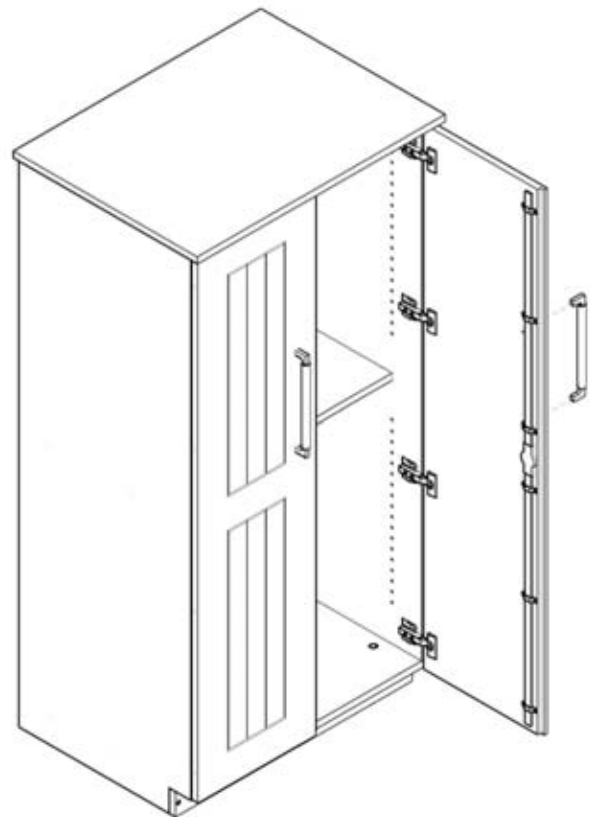
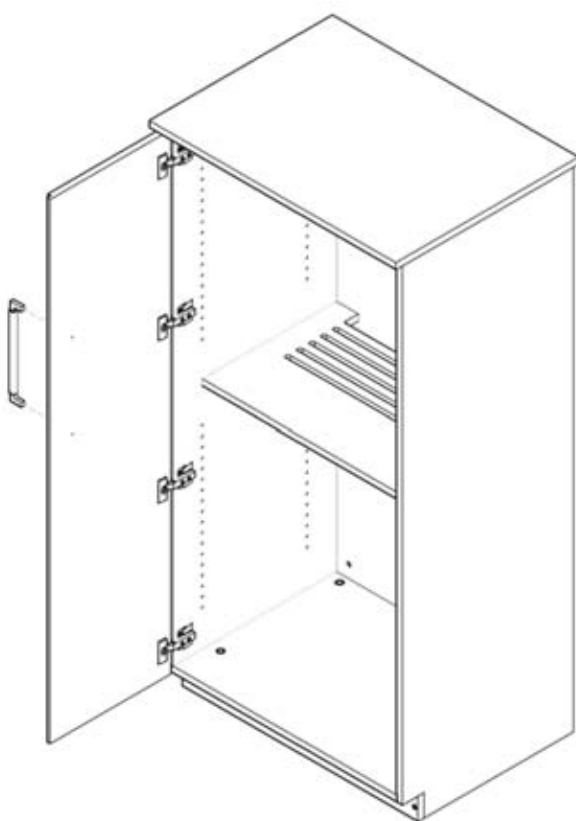


Figure 9b



Adjusting the Door Position

Examine the cabinet doors to make sure they close tightly on all sides. If adjustments are needed on the door hinges, adjust the top hinge first and then the next hinge, working your way down to the bottom hinge.

- **Moving the doors up or down:**

Turn the adjustment screws on the hinge plates to bring the door up or down. All four adjustment screws may have to be turned slightly to move the doors.

- **Moving the doors left or right:**

Turn the adjustment screw on the front of the hinge arm to move the door left or right. All four hinges may require slight adjustments in order to get the door square to the cabinet.

- **Moving the doors in or out:**

Turn the adjustment screw on the back of the hinge arm to move the door closer to the cabinet or further away. This may be required in order to get the door to land properly on the cabinet front.

10. On the sub-top and bottom panels, attach the lock bar strike plates at hole locations using 1/2" #6 wood screws. Check to be sure the cabinet is still level. Using a flat head screwdriver, adjust the leveling legs if necessary. Once completed, set plastic leg-leveler hole plugs (caps) over the holes.

Figure 9c
Hinge Adjustment

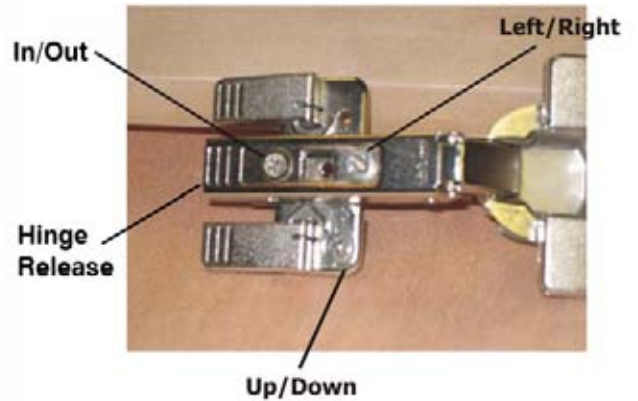
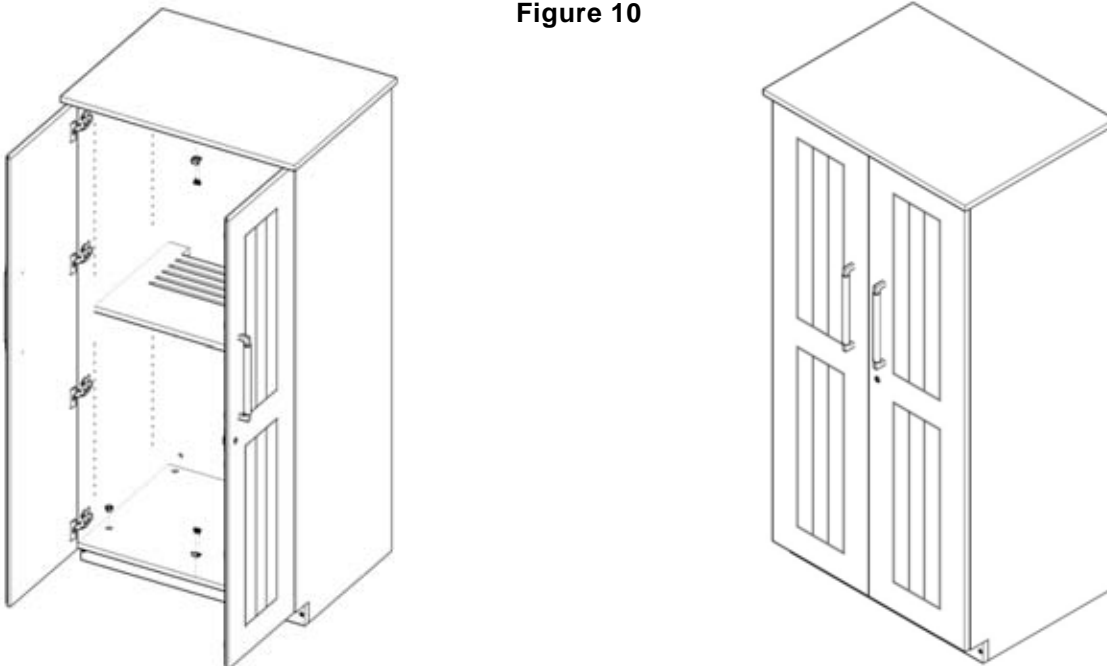
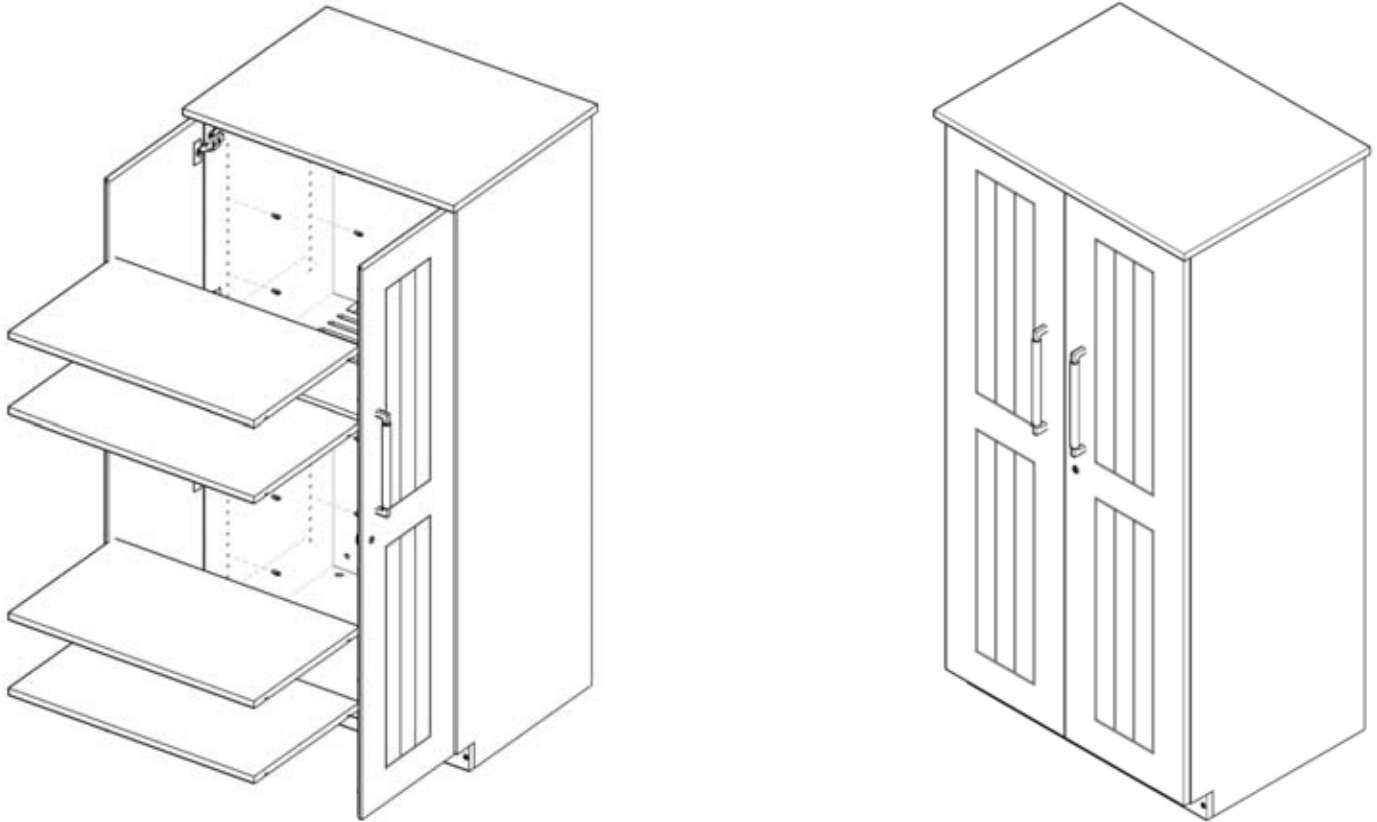


Figure 10



11. Locate the 16 shelf pins and place the pins in the pin holes in the sides of the cabinet. Set the shelves in place making sure that the grooves in the shelves are facing down and align with the pins.

Figure 11



QUESTIONS?

Please contact our

Customer Service Department

for help:

1-888-812-4427

Vigilant Inc.

85 Industrial Park Drive

Dover, NH 03820

Copyright © 2012 by Vigilant Inc. All rights reserved.